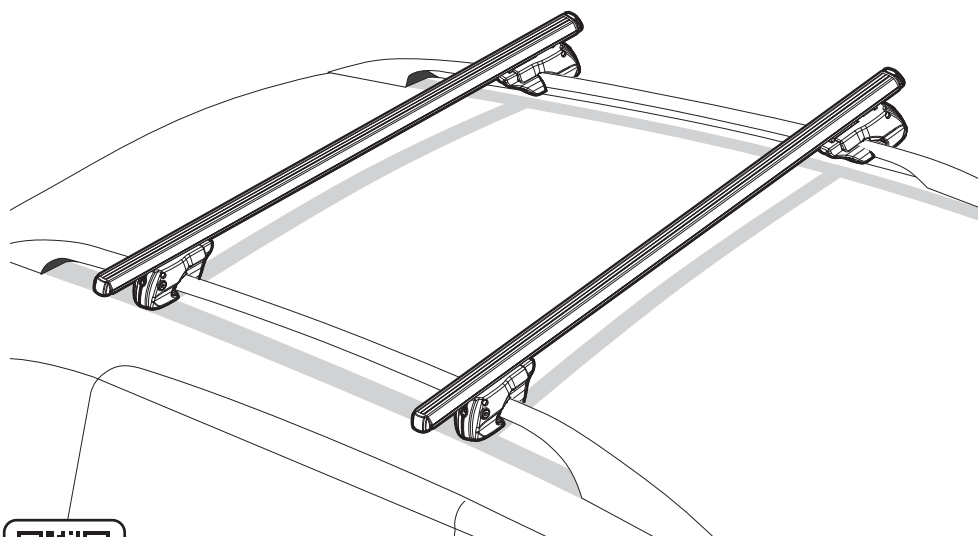


MENABO

free time on the move

SHERMAN

IT Istruzioni di montaggio	ET Paigaldusjuhend	PT Instruções de Montagem
EN Fitting instructions	FI Asennusohje	RO Instrucțiuni de montare
DE Montageanleitung	HR Uputa za sastavljanje	RU Инструкции по установке
FR Instructions de montage	HU A felszerelés módja	SK Návod na montáž
ES Instrucciones de montaje	LT Pritvirtinimo instrukcijos	SL Navodila za pritrjevanje
BG инструкции за сглобяване	LV Stiprināšanas instrukcija	SV Monteringsanvisning
CS Návod na montáž	NL Instrukcja montażu	TK Uydurma talimat
DA Monteringsvejledning	NO Monteringsveiledning	ZH 裝修指導
EL Οδηγίες συναρμολόγησης	PL Instrukcja montażu	AR تعليمات التجميع

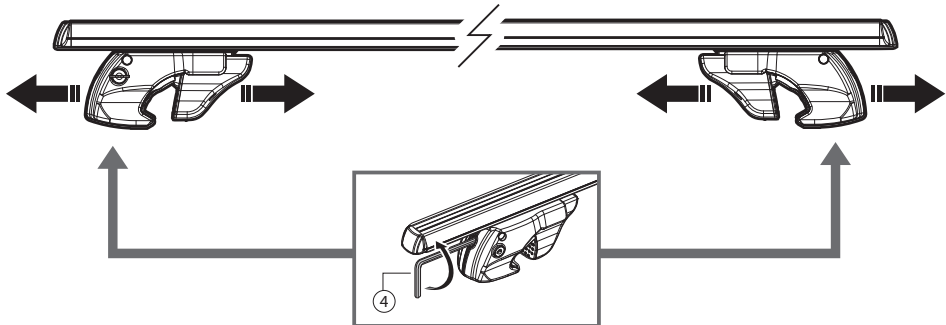
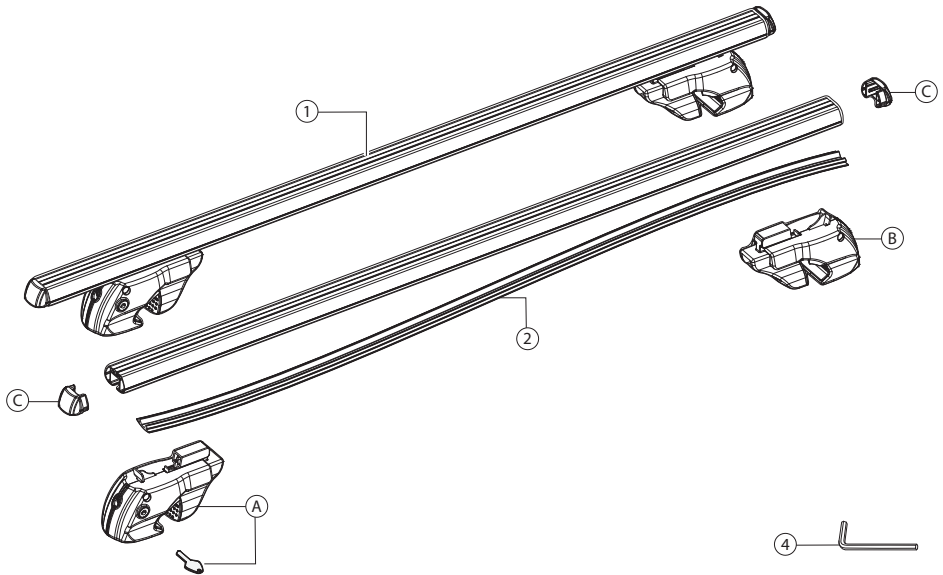


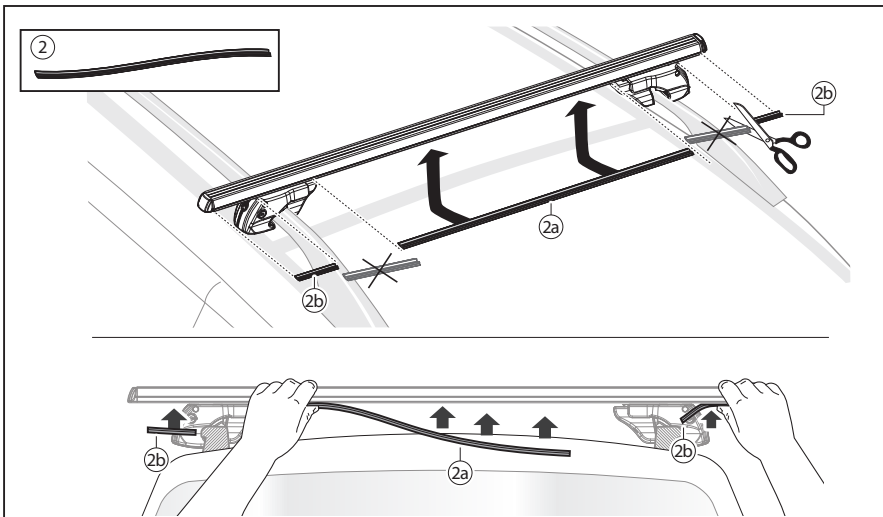
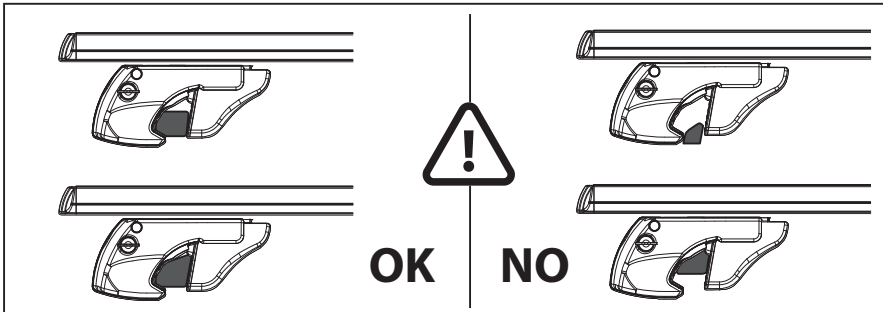
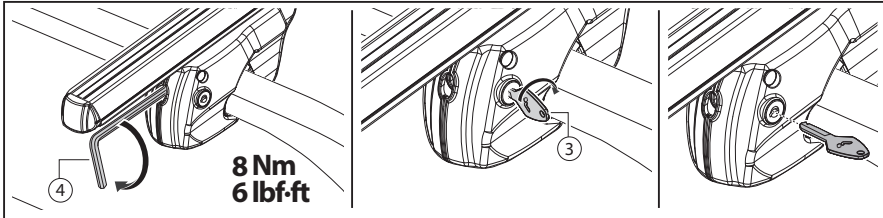
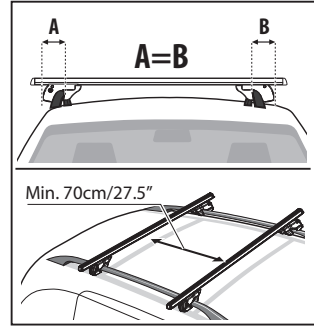
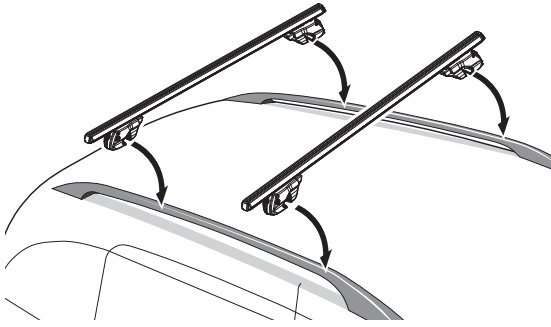
Made in Italy

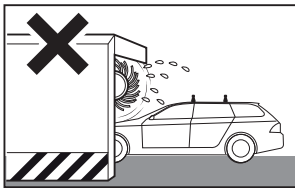
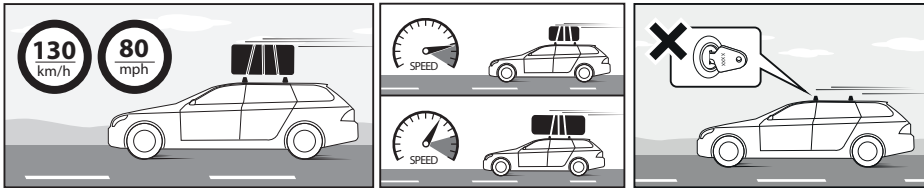
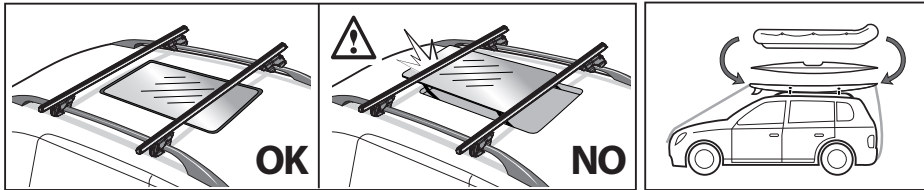
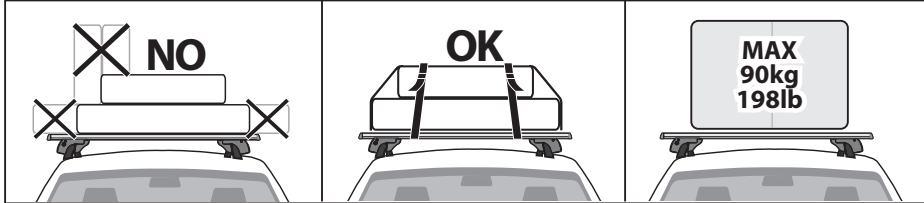
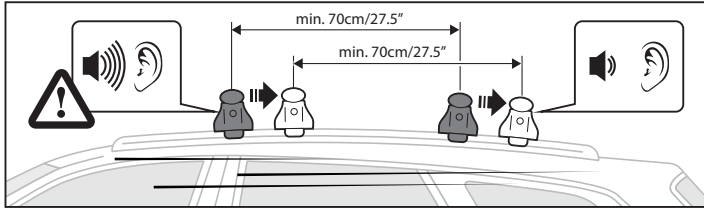


N	IT](Componenti (Inclusi) EN](Components (Included) FR](Composants (Comprises) DE](Die Komponenten (im Lieferumfang enthalten) ES](Componentes (Incluido)	Q
1		2
2		2
3		2
4		1

N	IT](Ricambi (A Richiesta) EN](Spare Parts (Made to order) FR](Pièces de rechange (Sur commande) DE](E Teile (auf Anfrage) ES](Piezas de recambio (Previa solicitud)	Q	Codice-Code-Código
2		2	700007900000
3		2	700007800000
4		1	700025000000
A		2	700030900000
B		1	700031000000
C		4	700031100000







Car Manual			
Sherman		3,3 kg/7.3lb	MAX
Sherman XL		3,5 kg/7.7lb	90kg/198lb



F.lli Menabò S.r.l.
 Via 8 Marzo, 3
 42025 Cavriago (RE), Italy
 customercare@flli-menabo.it
 www.menabocaraccessories.com

Cod.istr.	Data
500023000000	19/02/2021

Product registration EU:
 IT) eu.menabocaraccessories.com/ita/product-support-ita
 EN) eu.menabocaraccessories.com/eng/product-support-eng
 DE) eu.menabocaraccessories.com/deu/product-support-deu
 FR) eu.menabocaraccessories.com/fra/product-support-fra
 ES) eu.menabocaraccessories.com/esp/product-support-esp

www.menabocaraccessories.com

Name

Surname

Email

Telephone

Serial number

Product name