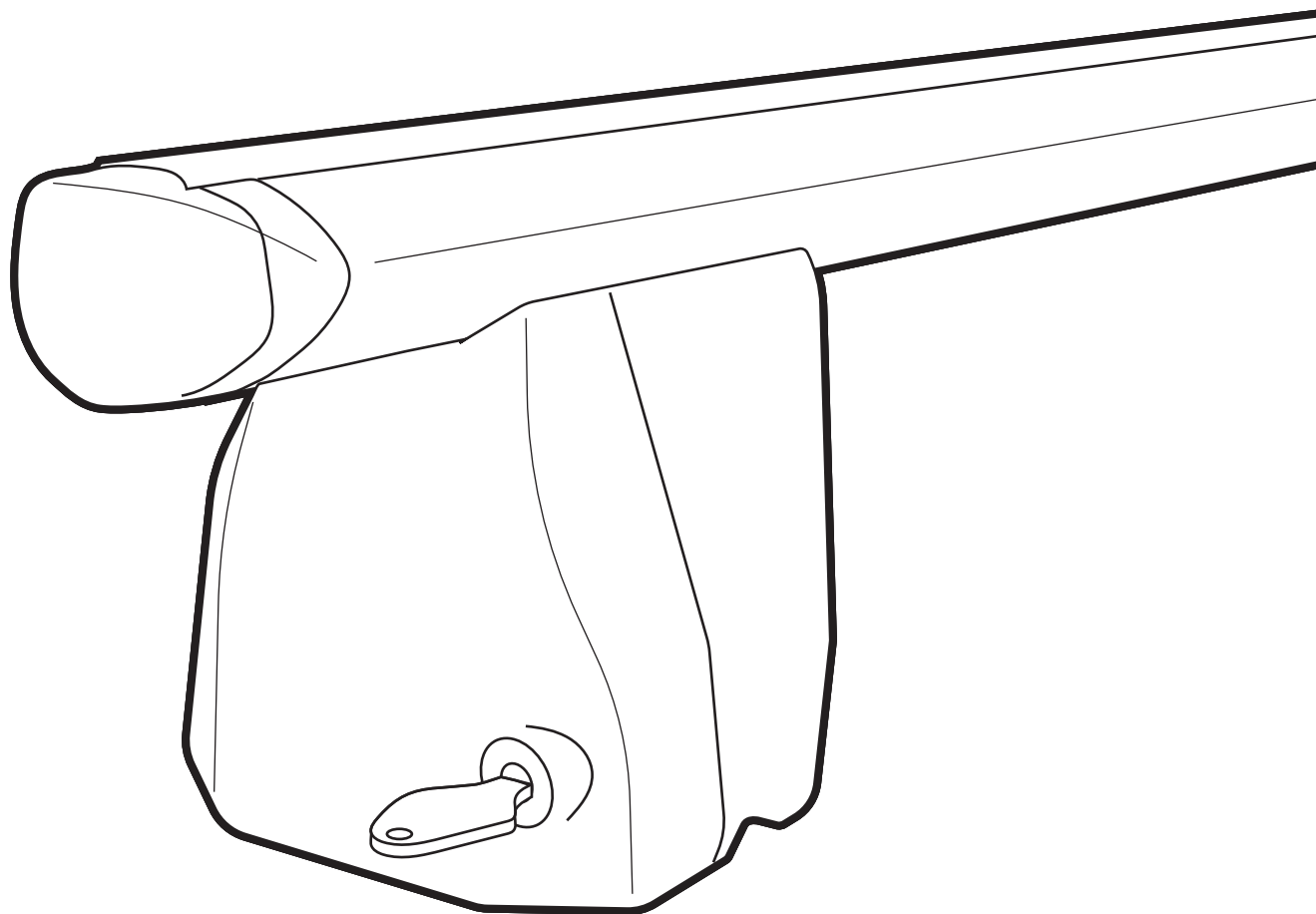











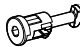




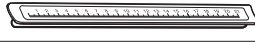





DELTA

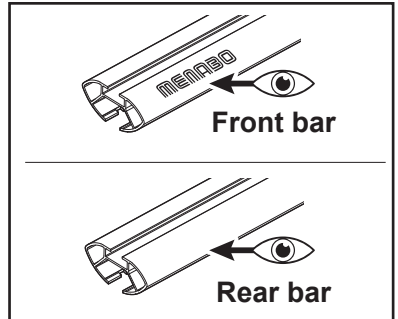
IT Istruzioni di montaggio	ET Paigaldusjuhend	PT Instruções de Montagem
EN Fitting instructions	FI Asennusohje	RO Instrucțiuni de montare
DE Montageanleitung	HR Uputa za sastavljanje	RU Инструкции по установке
FR Instructions de montage	HU A felszerelés módja	SK Návod na montáž
ES Instrucciones de montaje	LT Pritvirtinimo instrukcijos	SL Navodila za pritrjevanje
BG инструкции за сглобяване	LV Stiprināšanas instrukcija	SV Monteringsanvisning
CS Návod na montáž	NL Instrukcja montażu	TK Uydurma talimat
DA Monteringsvejledning	NO Monteringsveiledning	ZH 裝修指導
EL Οδηγίες συναρμολόγησης	PL Instrukcja montażu	AR تعليمات التجميع



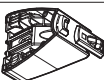

FIXING KIT		
N.	[IT]Componenti (Inclusi) [EN]Components (Included) [FR]Composants (Comprises) [DE]Die Komponenten (im Lieferumfang enthalten) [ES]Componentes (Incluido)	Q.
1		4
2		4
3	 M8x40	4
4		4
5	 Ø8x14	4
6	 Ø6x12	8
7	 M6	24
8	 M6x70	8
9		1


MAIN KIT		
N.	[IT]Componenti (Inclusi) [EN]Components (Included) [FR]Composants (Comprises) [DE]Die Komponenten (im Lieferumfang enthalten) [ES]Componentes (Incluido)	Q.
10		4
11		4
12		4
13	 5mm/0.2"	1
14		2
15		4
16		2
17		4
18		4

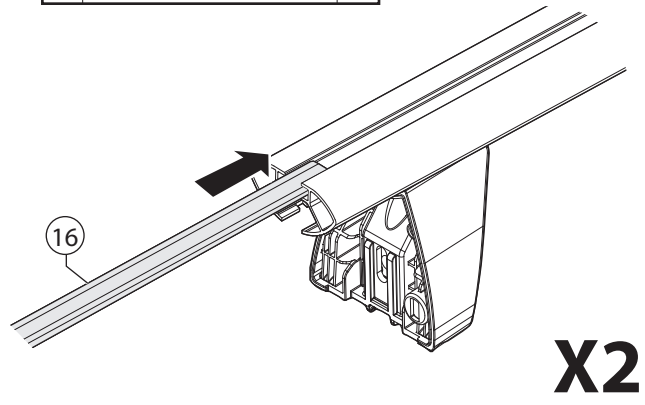
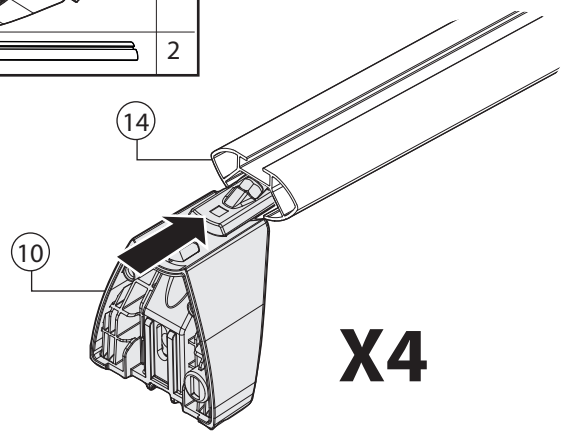
OPTIONAL KIT 00008480000		
N.		Q.
19		4
20	 XXXX	4



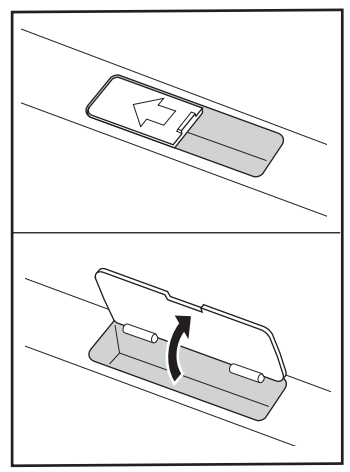
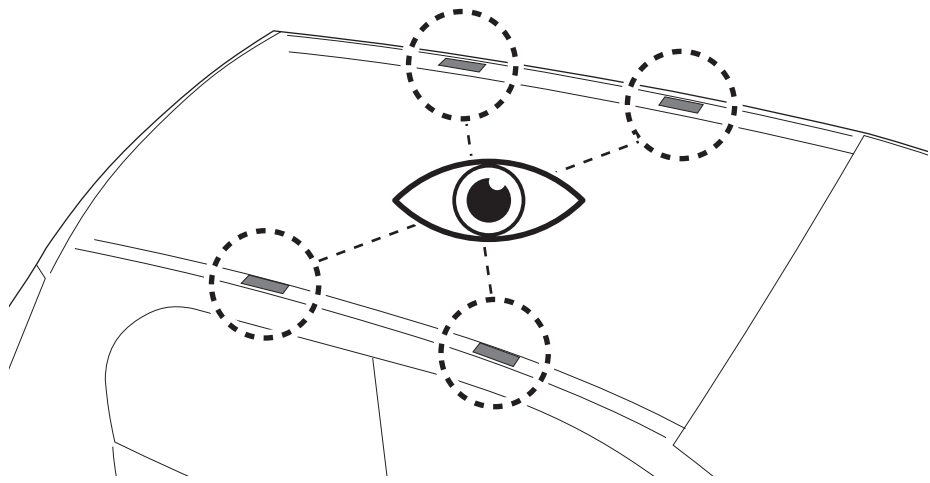
1

N.		Q.
10		4
14		2

N.		Q.
16		2

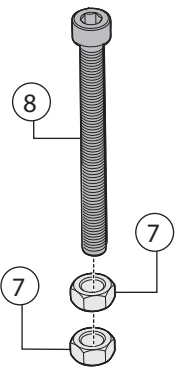


2

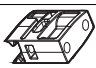


N.		Q.
8	M6x70	8
7	M6	16

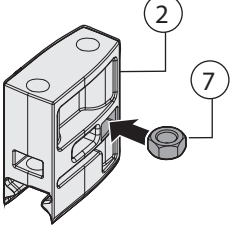
7+8




x8

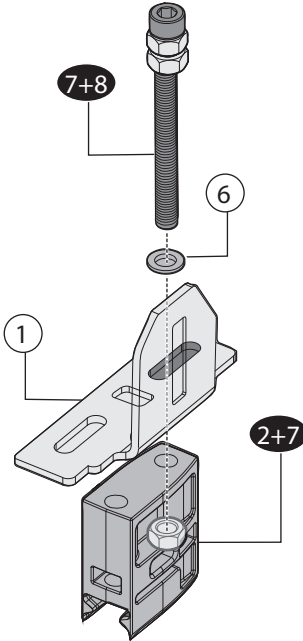
N.		Q.
2		4
7	M6	4

2+7

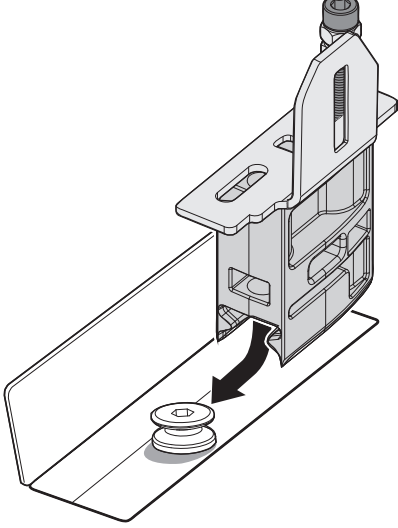


x4

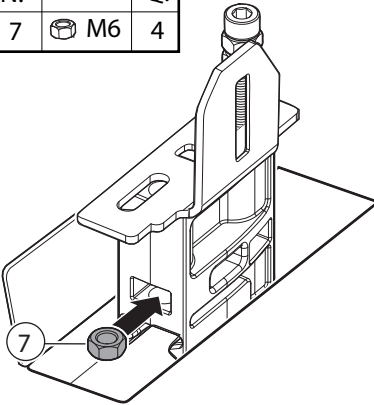
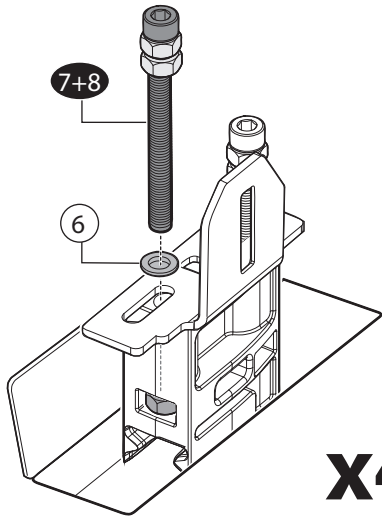
N.		Q.
1		4
6	Ø6x12	4




x4

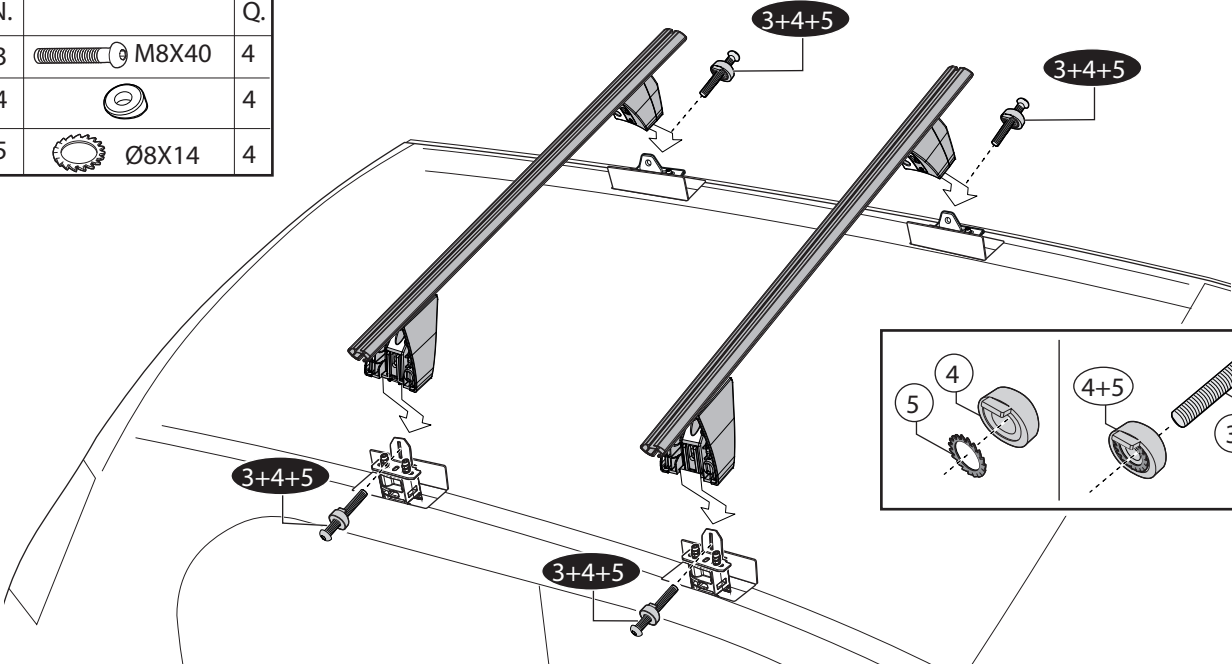


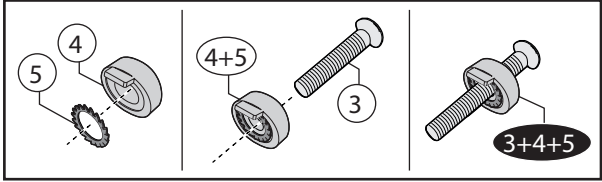
N.		Q.
7	M6	4

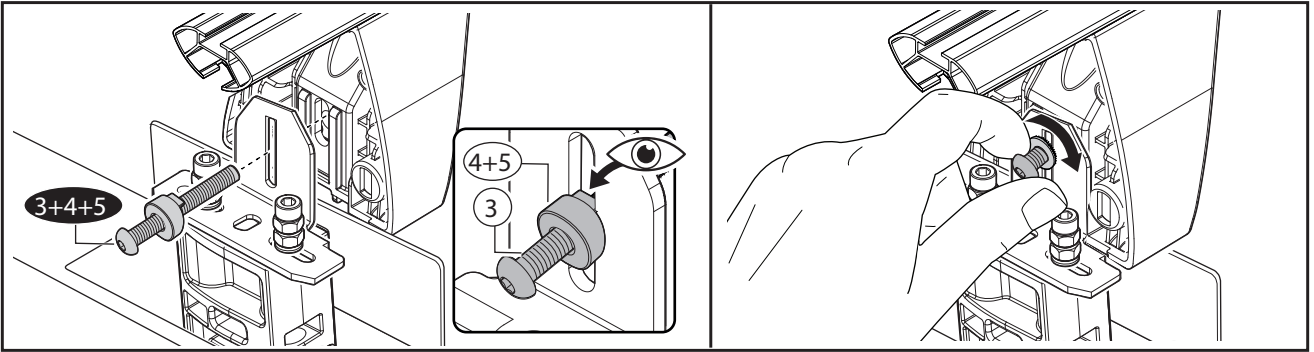
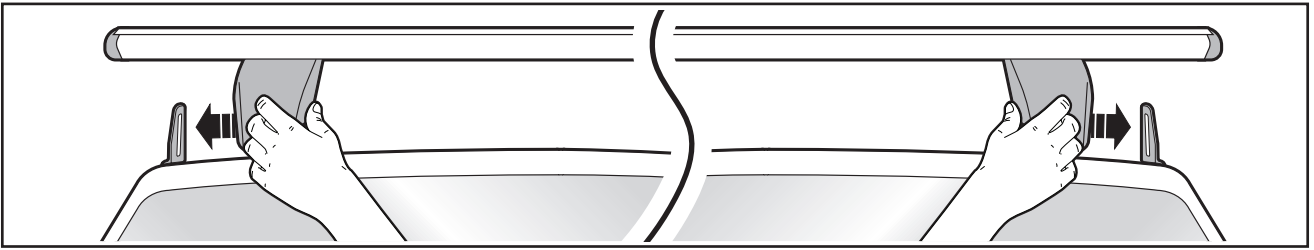



x4

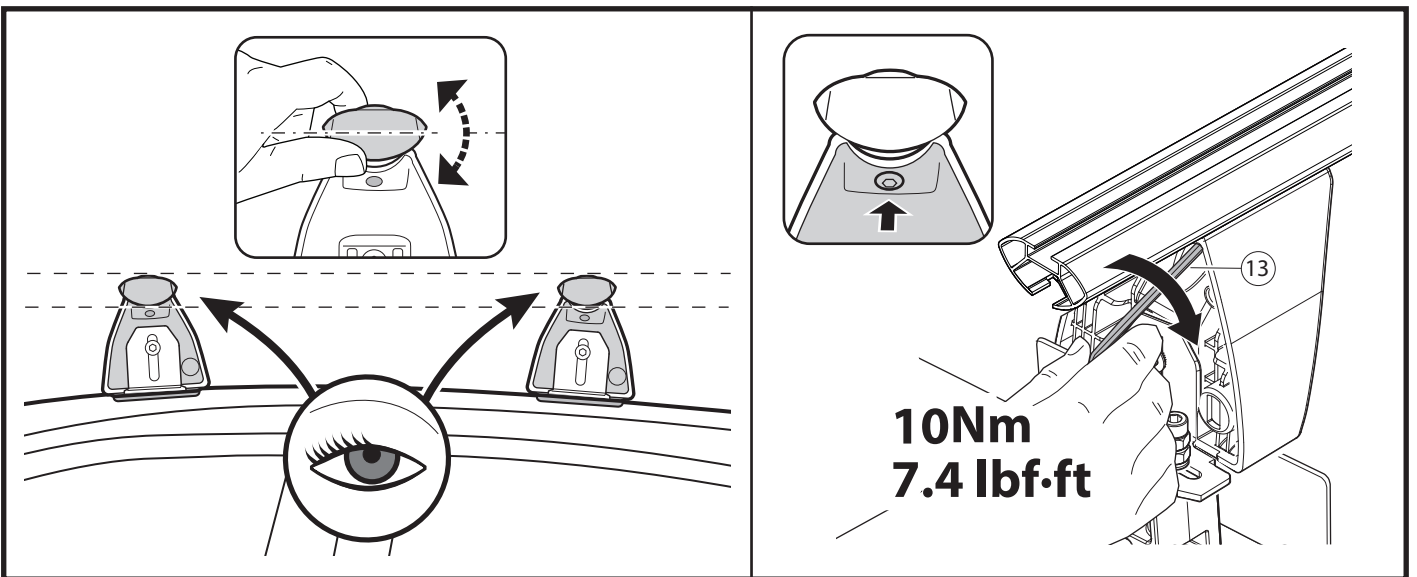
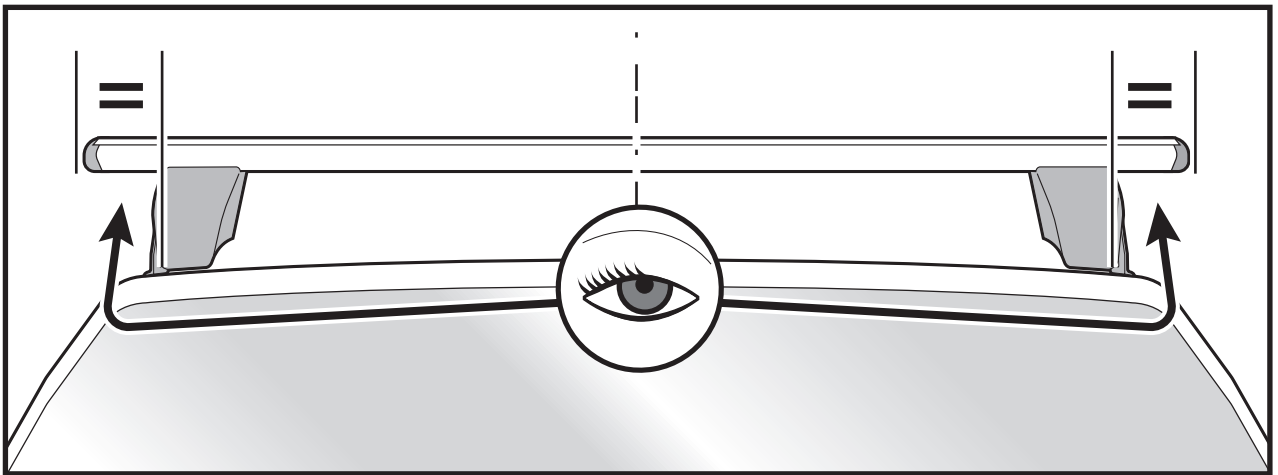
N.		Q.
3	M8X40	4
4		4
5	Ø8X14	4

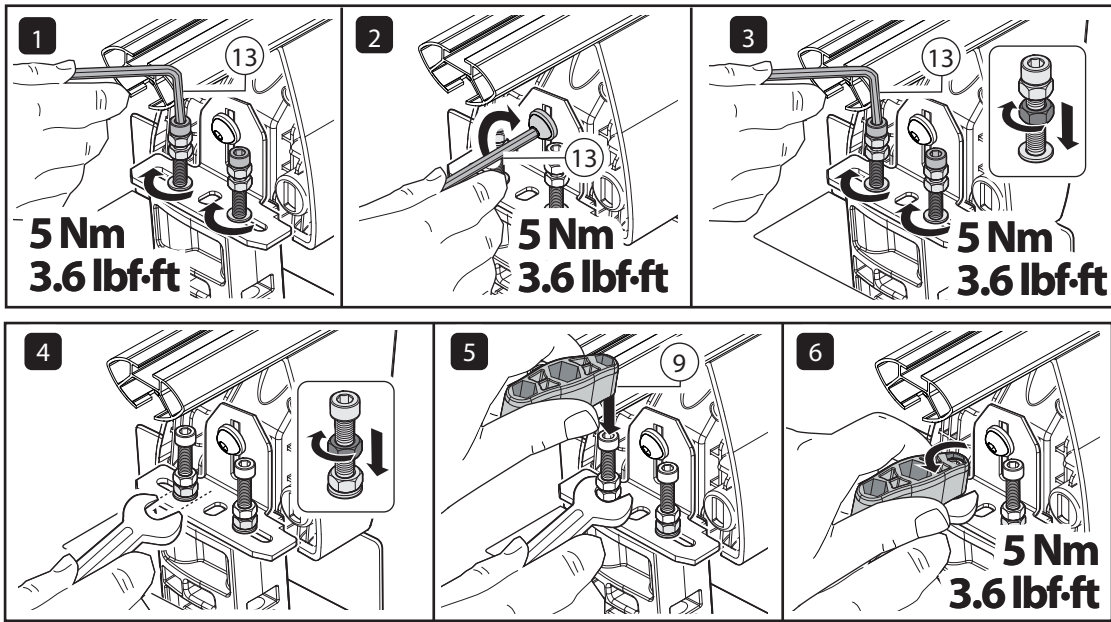




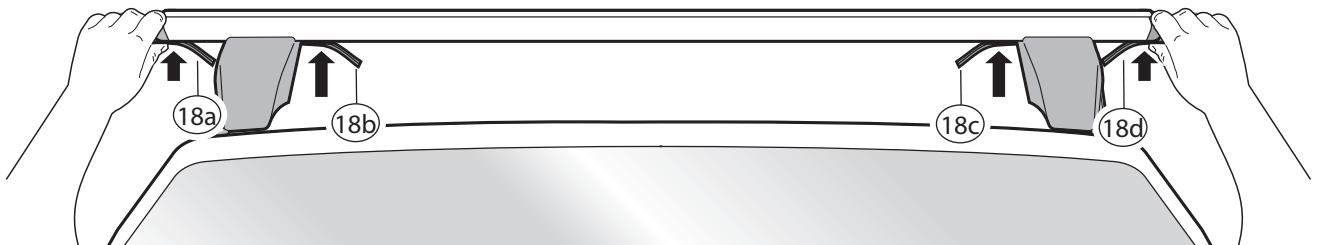
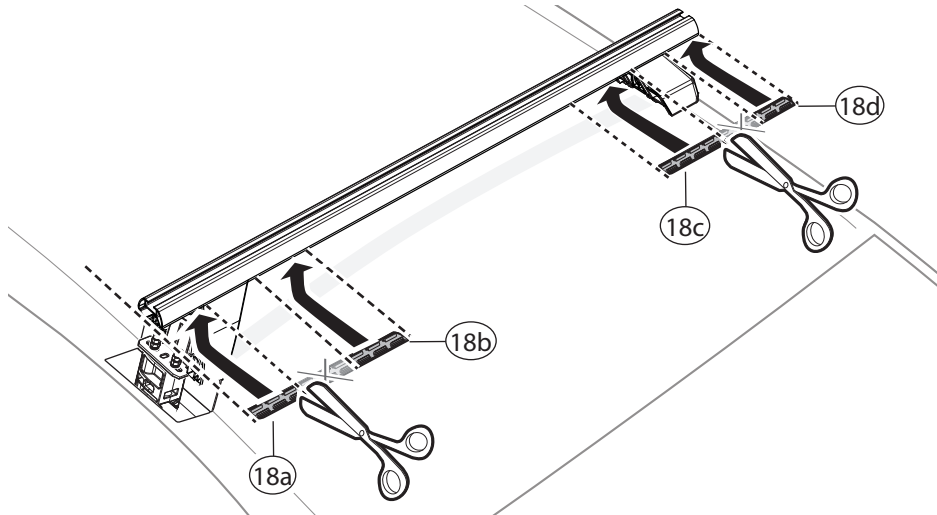
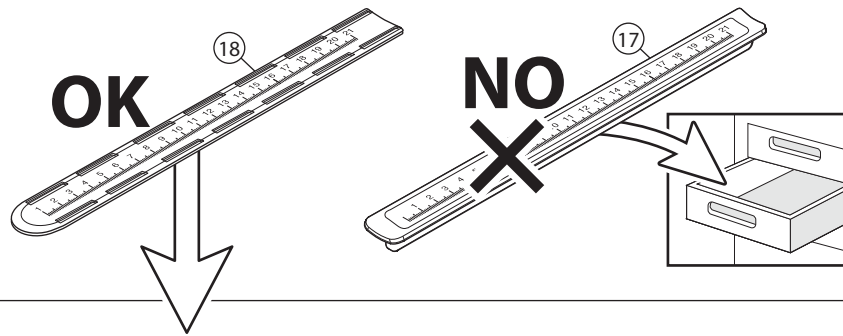


5






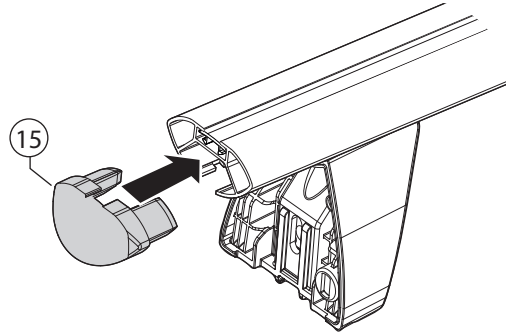
N.		Q.
17		2
18		2



8


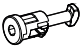
X4-

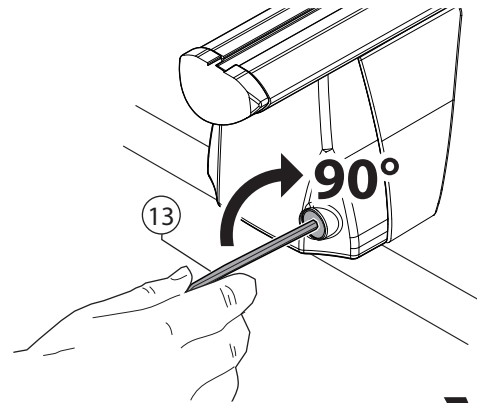
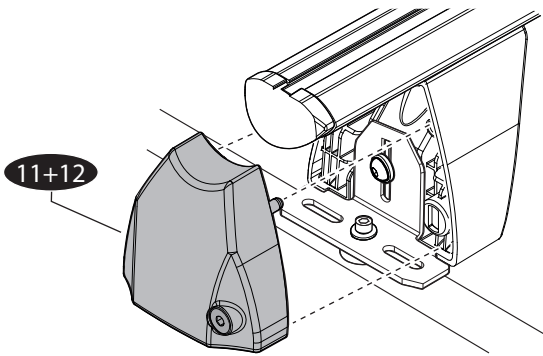
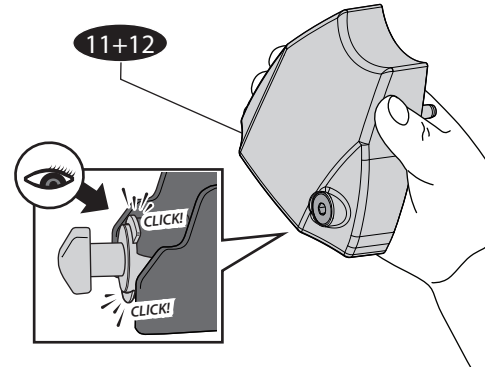
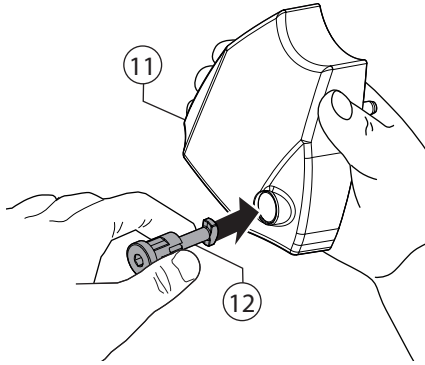
N.		Q.
15		1



9

X4-



N.		Q.
11		1
12		1

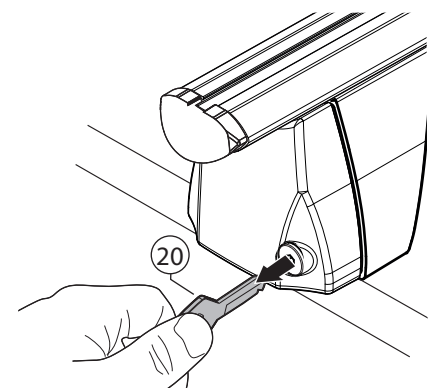
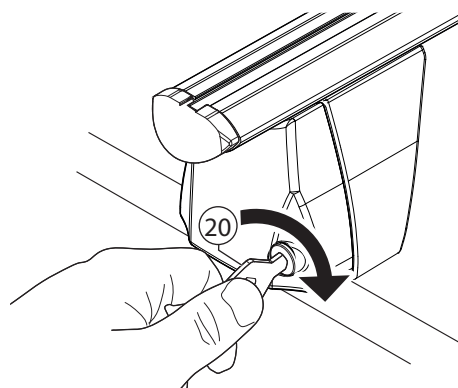
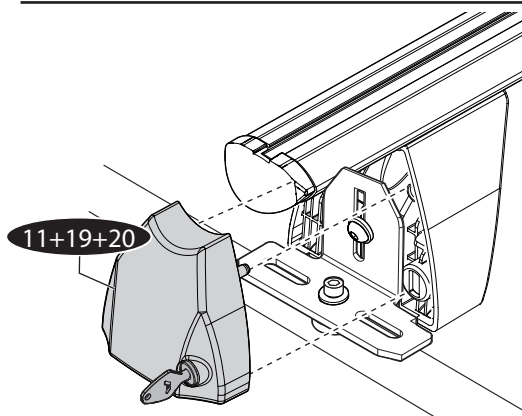
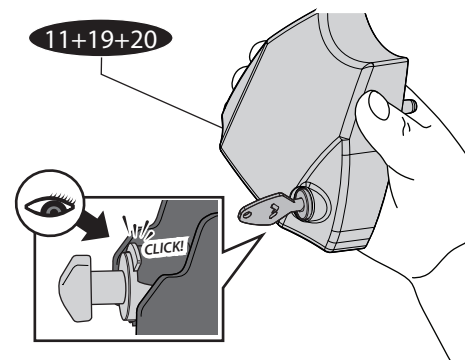
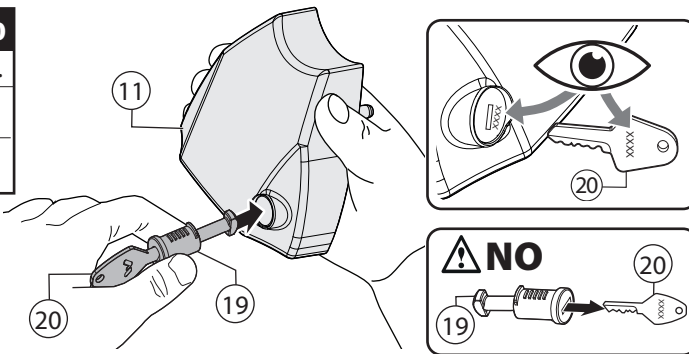


9 - OPTIONAL





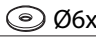



X4-

KIT 000084800000

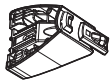


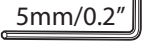




N.		Q.
19		1
20		1



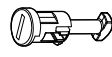

FIXING KIT

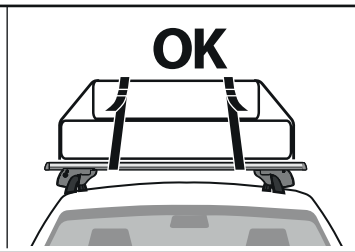
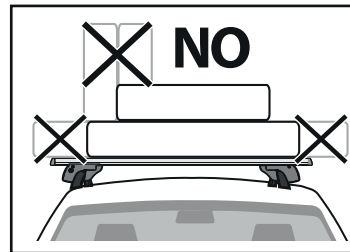
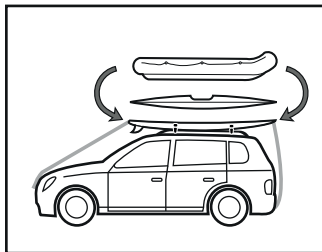
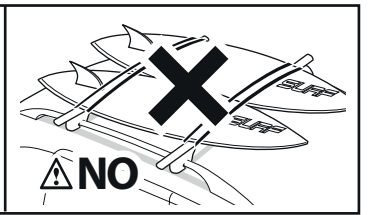
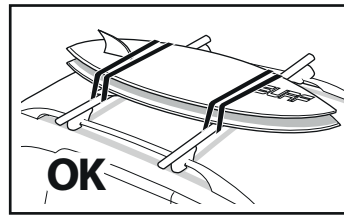
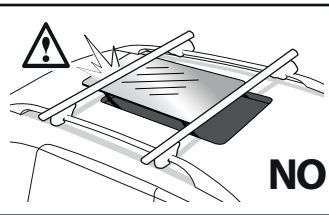
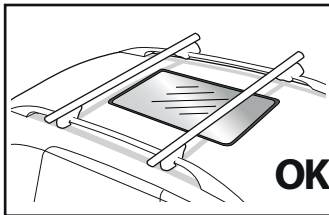
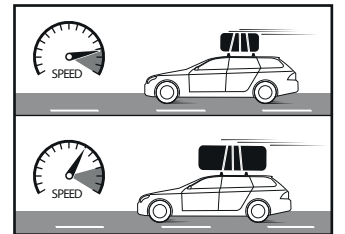
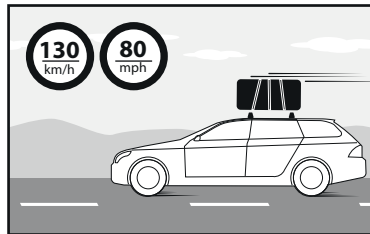
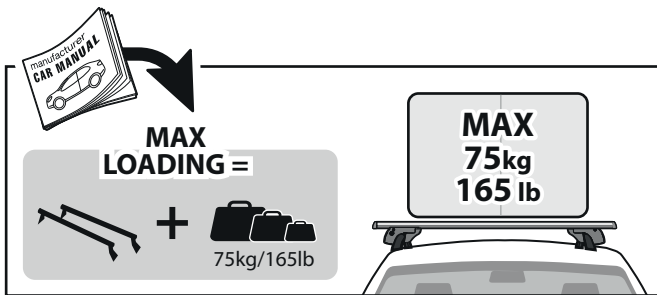
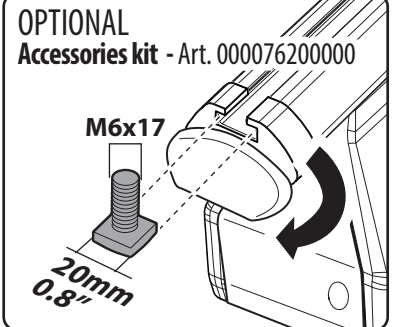
N.	[IT] Ricambi (A Richiesta) [EN] Spare Parts (Made to order) [FR] Pièces de rechange (Sur commande) [DE] Teile (auf Anfrage) [ES] Piezas de recambio (Previa solicitud)	Q.	Codice-Code-Código
2		1	700012600000
3	 M8x40	4	700031700000
4		4	
5	 Ø8x14	4	
6	 Ø6x12	8	700012700000
7	 M6	24	
8	 M6x70	8	700017500000
9		1	

MAIN KIT

N.	[IT] Ricambi (A Richiesta) [EN] Spare Parts (Made to order) [FR] Pièces de rechange (Sur commande) [DE] Teile (auf Anfrage) [ES] Piezas de recambio (Previa solicitud)	Q.	Codice-Code-Código
10		1	700029500000
11		1	700029600000
12		4	700025300000
13	 5mm/0.2"	1	700025000000
15		2	700029300000
16		2	700007900000
17		4	700029400000
18		4	700032000000

OPTIONAL KIT 000084800000

N.		Q.
19		4
20	 XXXX	4





F.lli Menabò S.r.l.
Via 8 Marzo, 3 -Z.I. Corte Tegge
42025 Cavriago (RE) ITALY

MENABO USA INC.
18 Bridge Street, Unit 2A
Brooklyn, NY, 11201 - U.S.A.

MENABO CANADA INC.
1710 TransCanada Hwy
Dorval, QC, H9P 1H7 - Canada

customercare@flli-menabo.it
customercare@menaboamericas.com
www.menabocaraccessories.com

Product registration EU:

IT) eu.menabocaraccessories.com/ita/product-support-ita
EN) eu.menabocaraccessories.com/eng/product-support-eng
DE) eu.menabocaraccessories.com/deu/product-support-deu
FR) eu.menabocaraccessories.com/fra/product-support-fra
ES) eu.menabocaraccessories.com/esp/product-support-esp

Product registration US/CA:

EN) america.menabocaraccessories.com/en/product-support
FR) america.menabocaraccessories.com/fr/support-produit
ES) america.menabocaraccessories.com/es/soporte-de-producto

Cod.Istr.	500024900001
Data	22/06/2021

www.menabocaraccessories.com

Name

Surname

Email

Telephone

Serial number

Product name