

MENABO

free time on the move

optional kit
000110300000

IT Istruzioni di montaggio	ET Paigaldusjuhend	PT Instruções de Montagem
EN Fitting instructions	FI Asennusohje	RO Instrucțiuni de montare
DE Montageanleitung	HR Uputa za sastavljanje	RU Инструкции по установке
FR Instructions de montage	HU A felszerelés módja	SK Návod na montáž
ES Instrucciones de montaje	LT Pritvirtinimo instrukcijos	SL Navodila za pritrjevanje
BG инструкции за сглобяване	LV Stiprināšanas instrukcija	SV Monteringsanvisning
CS Návod na montáž	NL Instrukcja montażu	TK Uydurma talimat
DA Monteringsvejledning	NO Monteringsveiledning	ZH 裝修指導
EL Οδηγίες συναρμολόγησης	PL Instrukcja montażu	AR تعليمات التجميع

YELO NS




YELO

NIAGARA




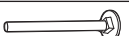
Made in Italy

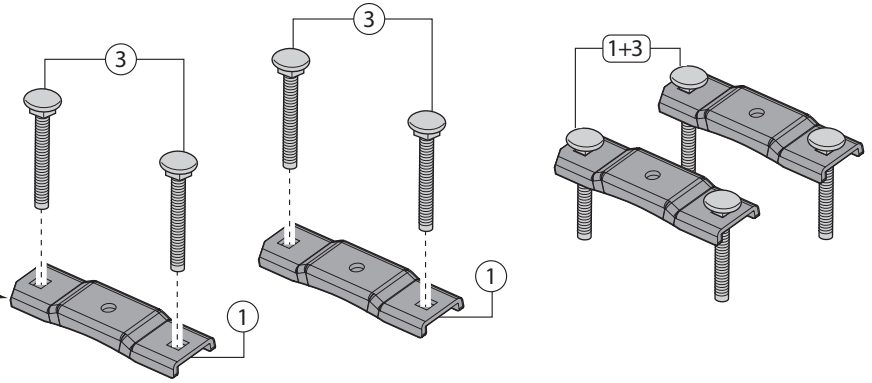
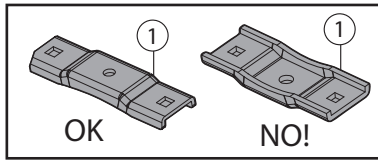


N°	[IT]Componenti (Inclusi) [EN]Components (Included) [FR]Composants (Comprises) [DE]Die Komponenten (im Lieferumfang enthalten) [ES]Componentes (Incluido)	Q.
1		8
2		8
3	 M6x60	8

① YELO NS / -YELO / NIAGARA

X2

N°		Q.
1		2
3	 M6x60	4



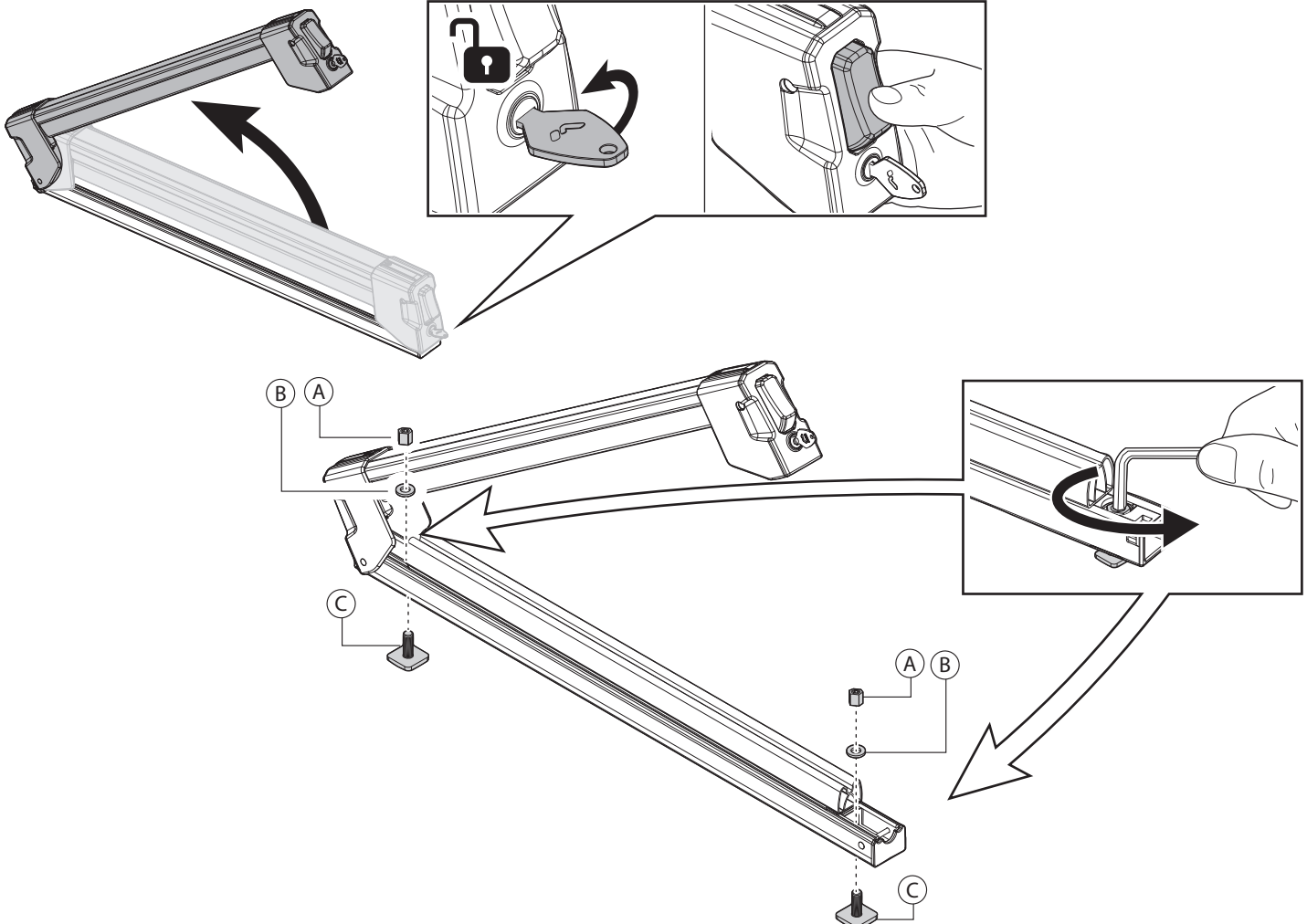
YELO NS → ②

YELO → ④ pag.3

NIAGARA → ⑫ pag.6

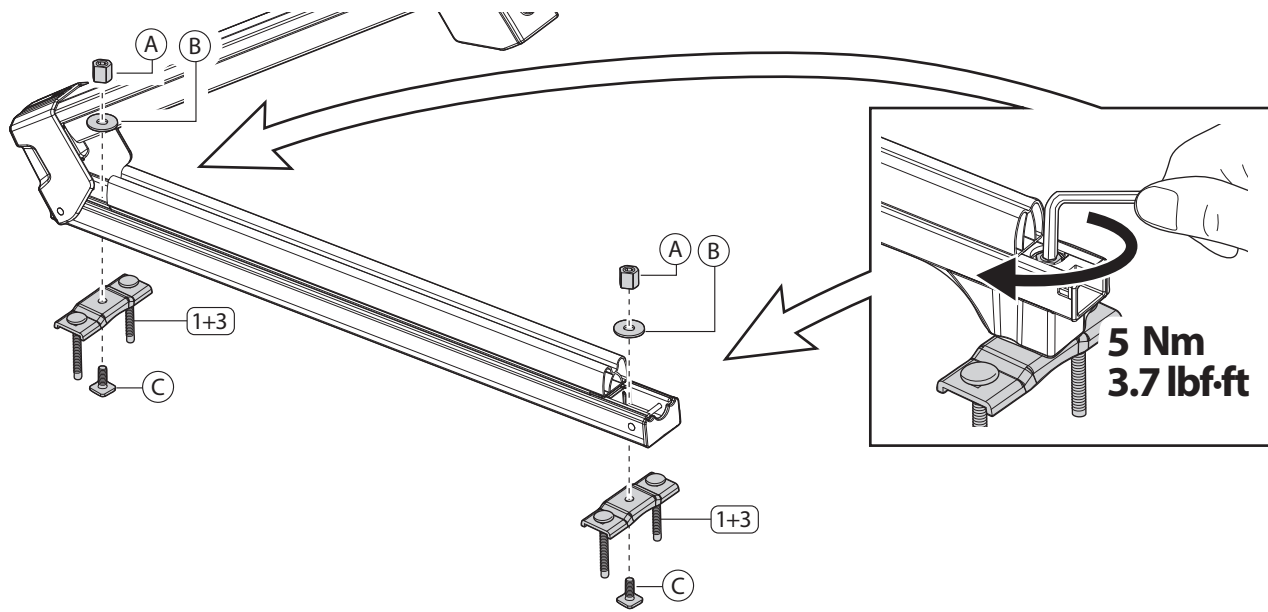
② YELO NS

X2



3 YELO NS

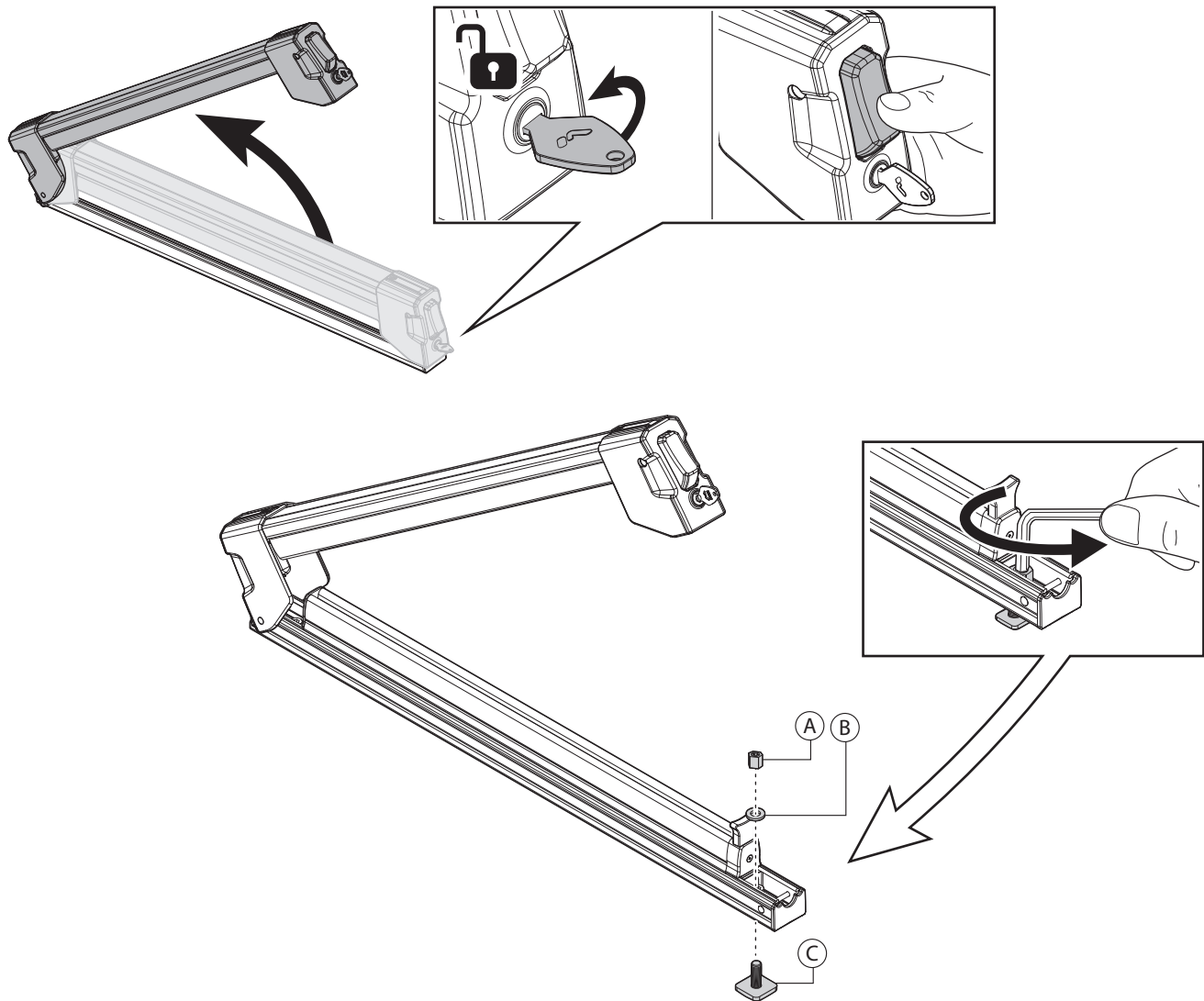
X2



YELO NS → 9 pag.5

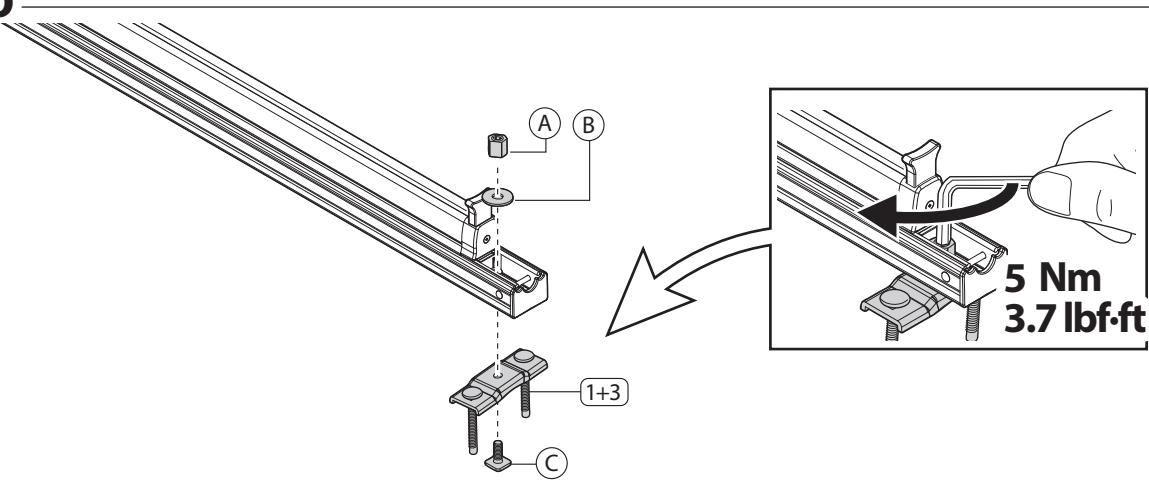
4 YELO

X2



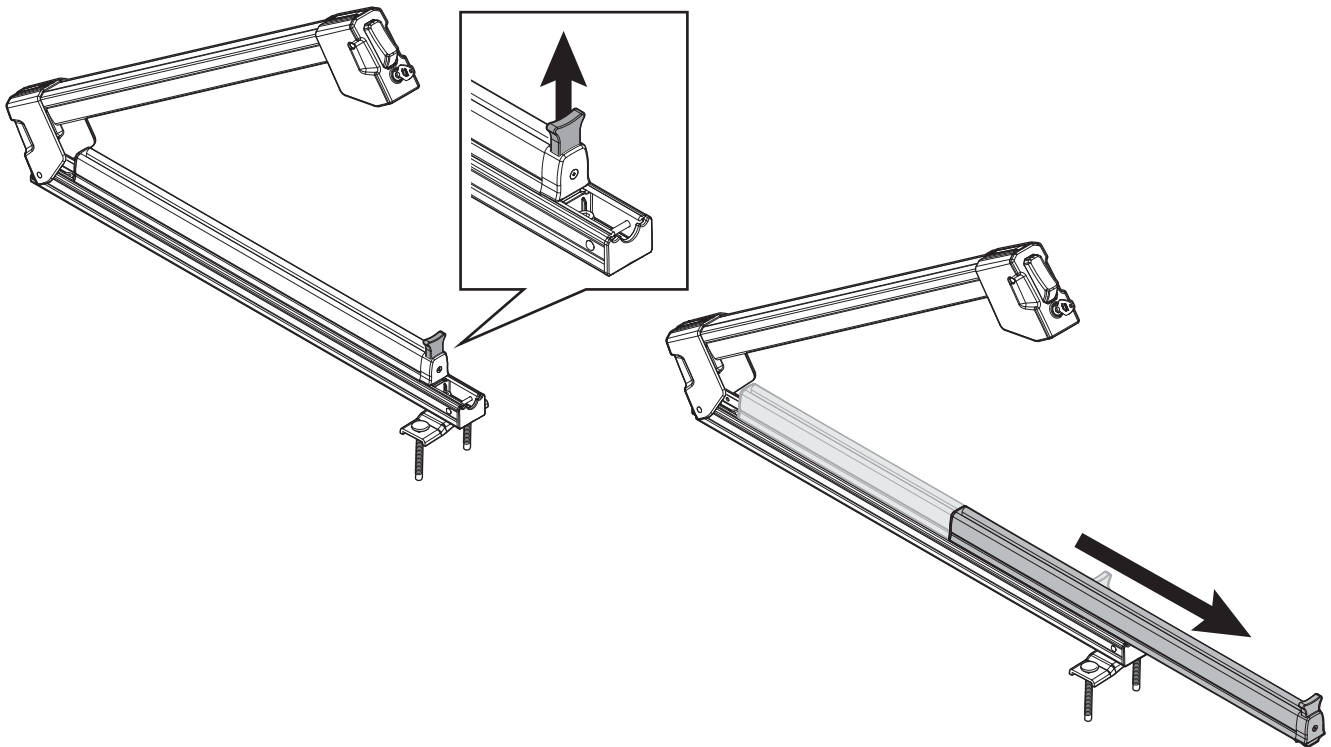
5 YELO

X2



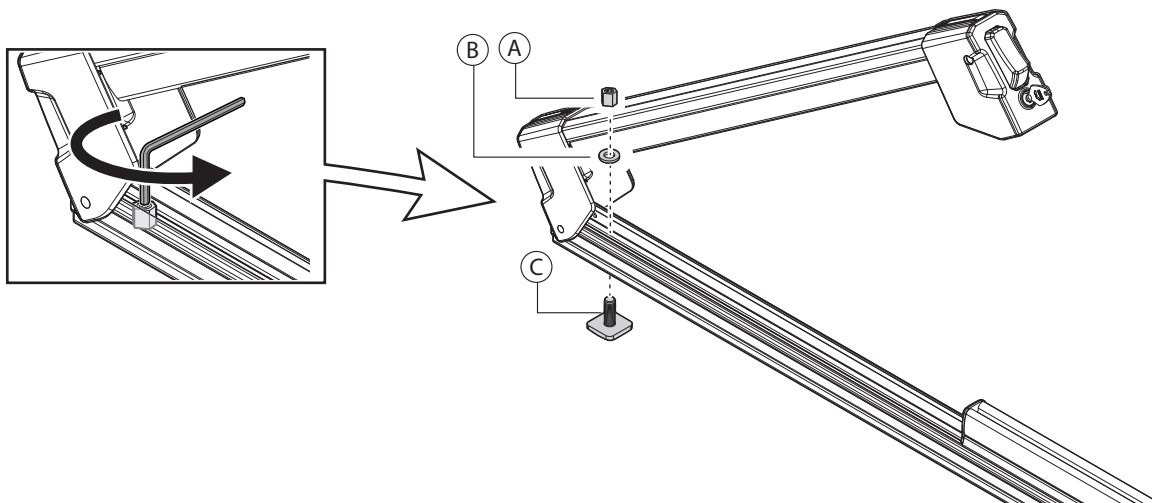
6 YELO

X2



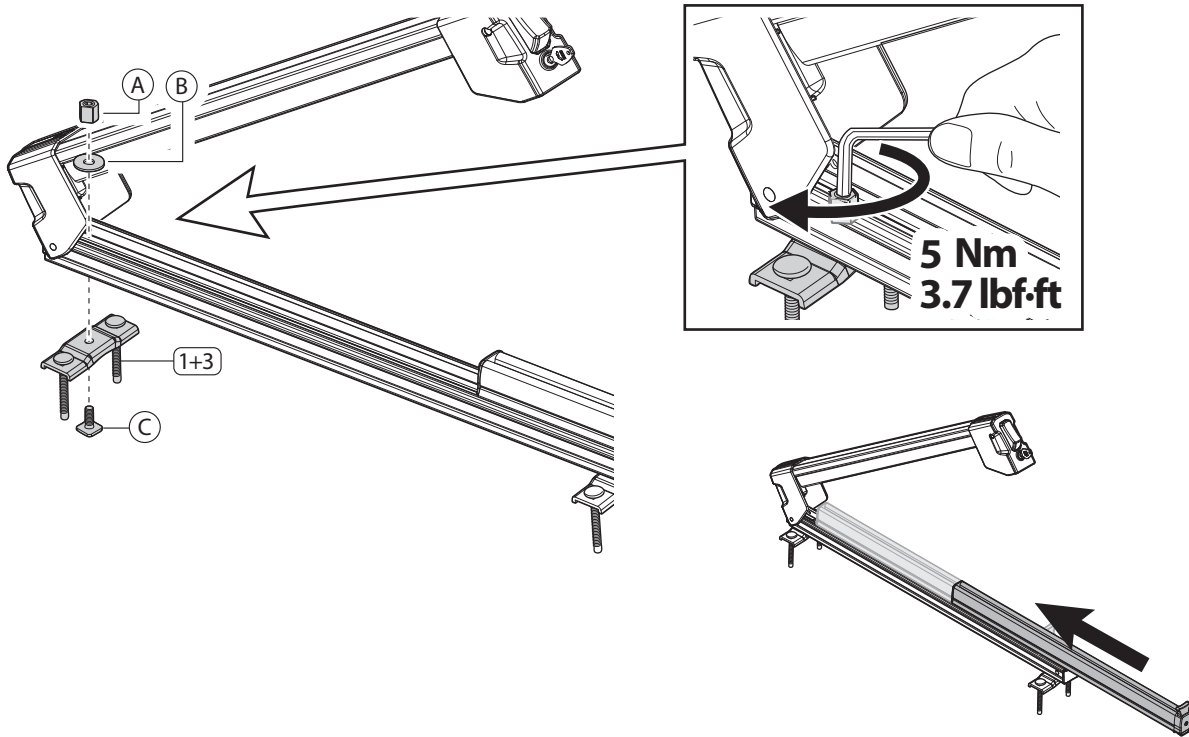
7 YELO

X2



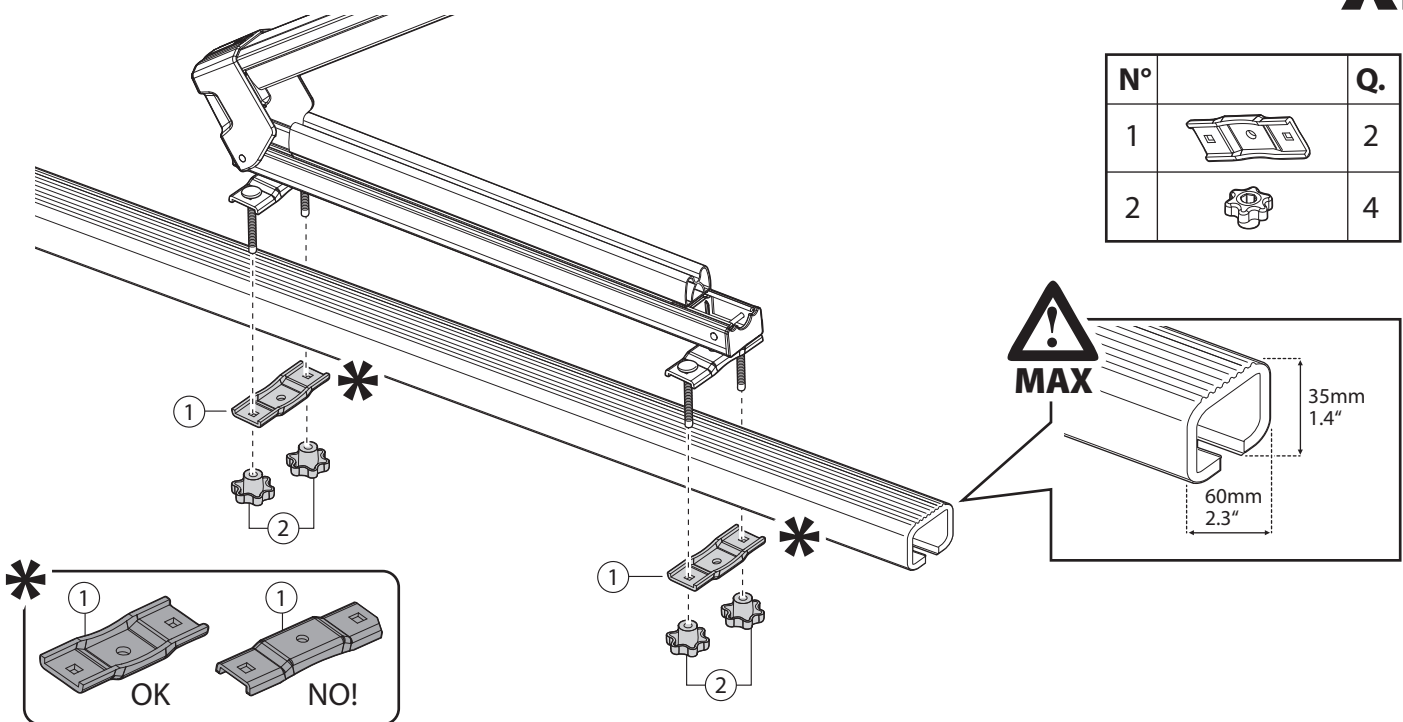
8 YELO

X2



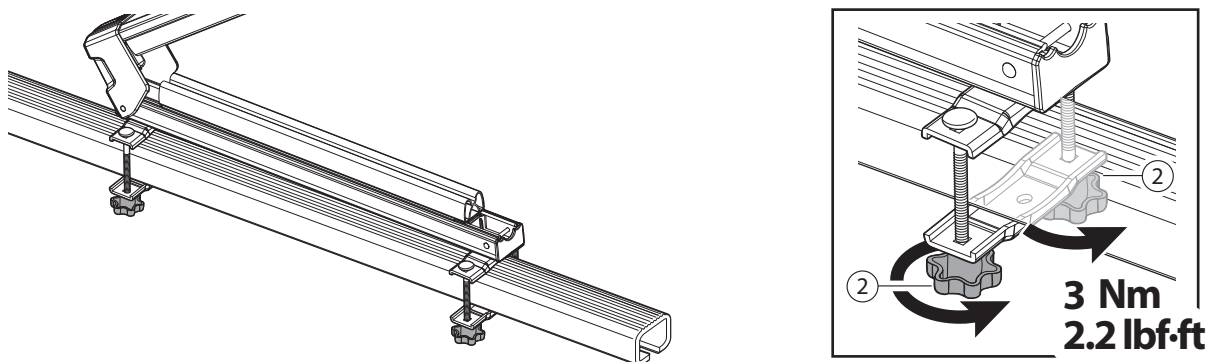
9 YELO NS / YELO

X2



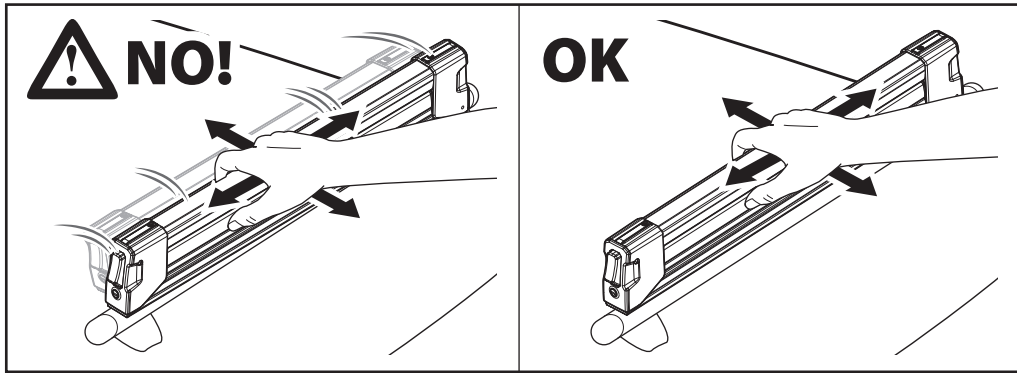
10 YELO NS / YELO

X2



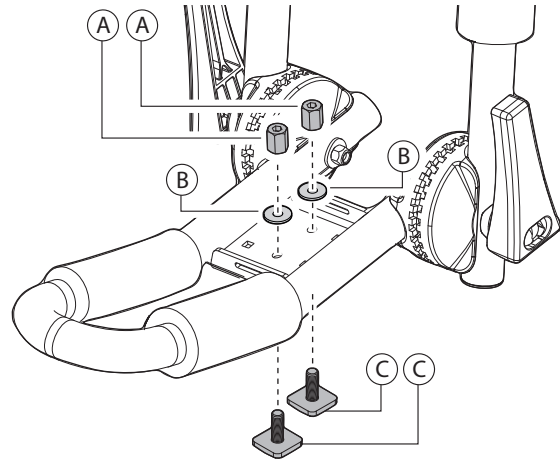
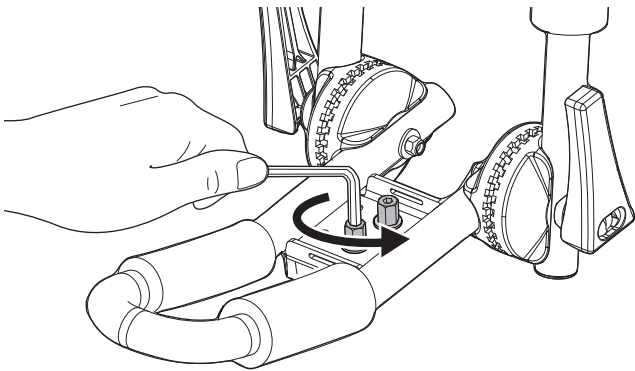
11 — YELO NS / YELO

X2



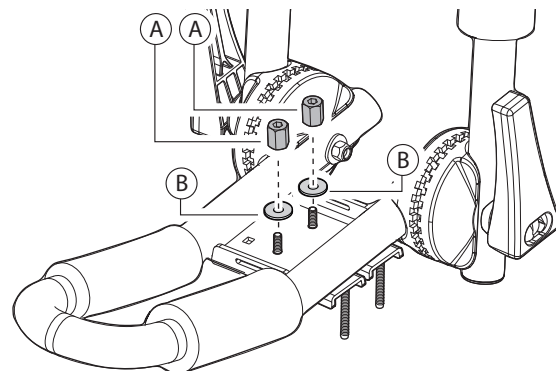
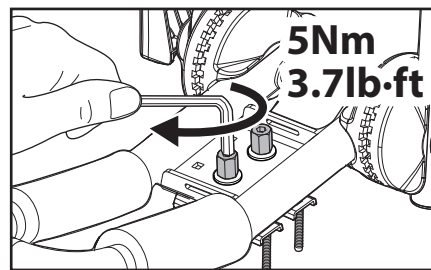
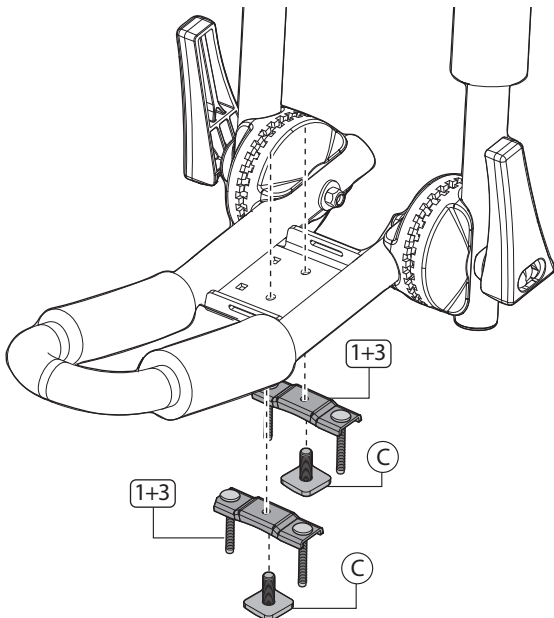
12 — NIAGARA

X2



13 — NIAGARA

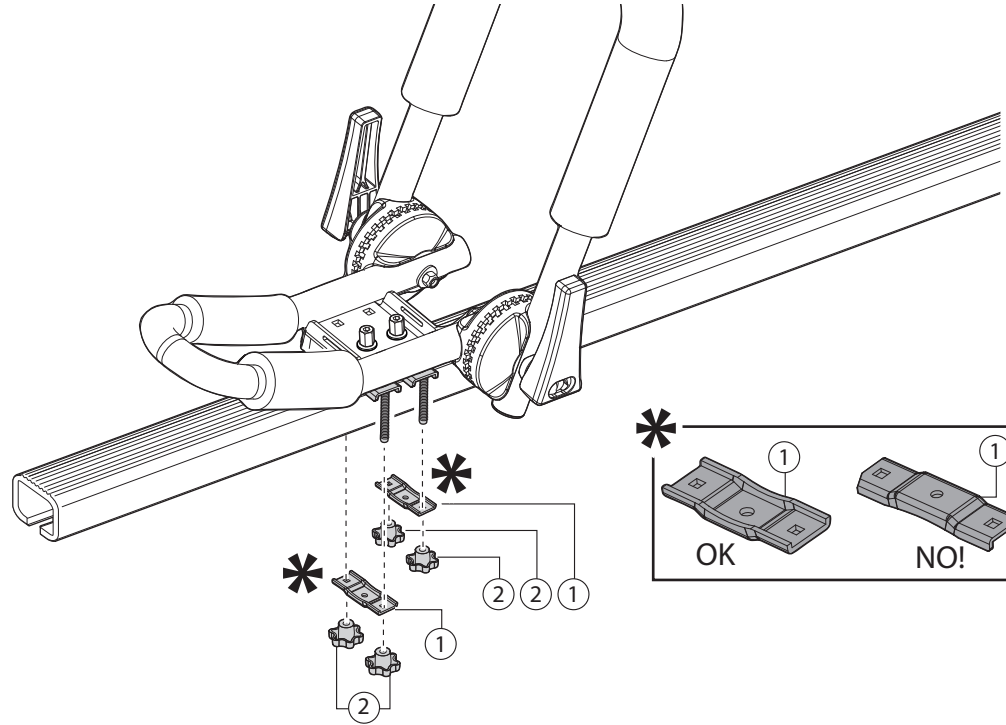
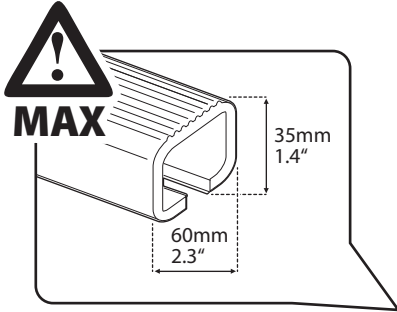
X2



14 — NIAGARA

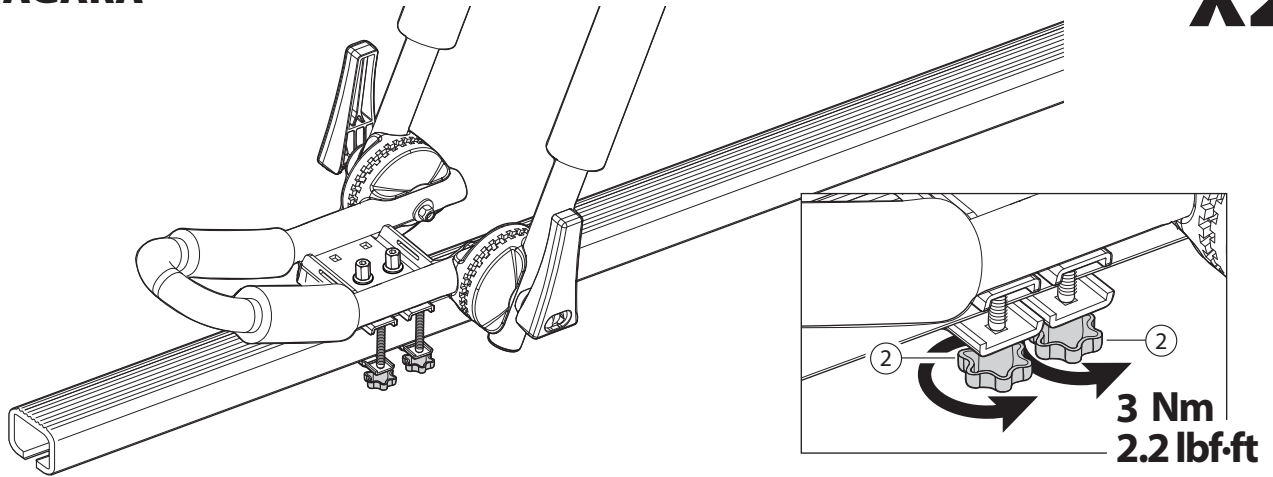
X2

N°		Q.
1		2
2		4



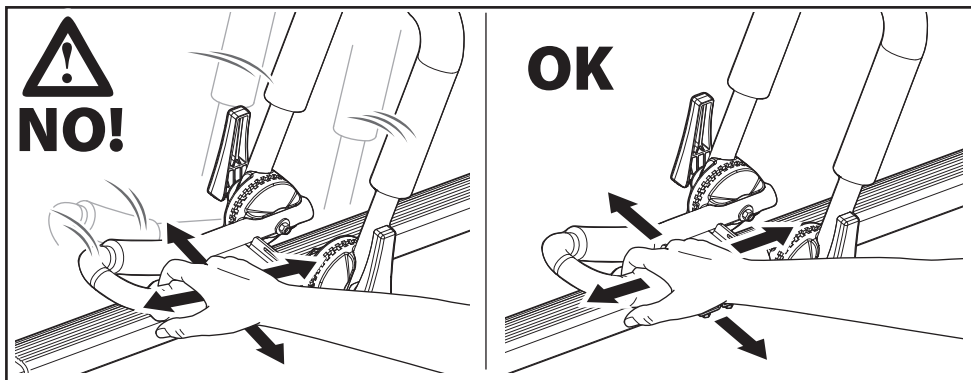
15 — NIAGARA

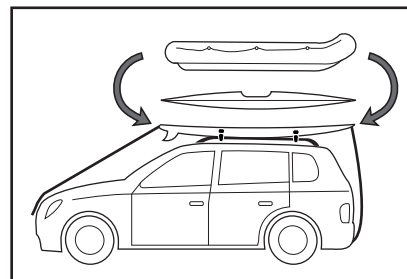
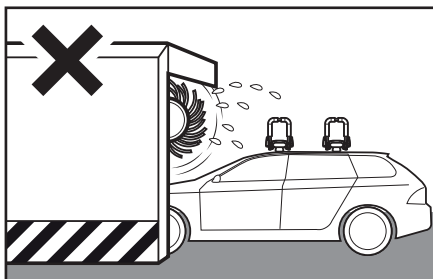
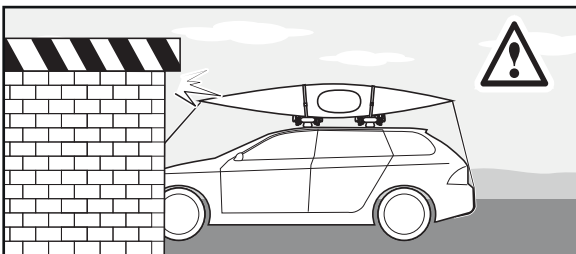
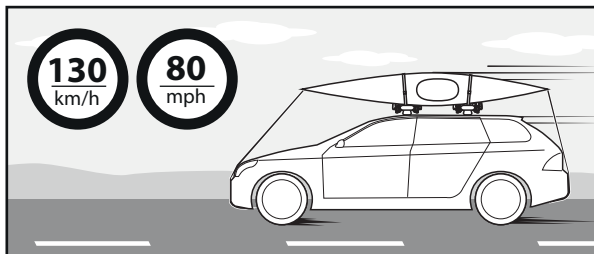
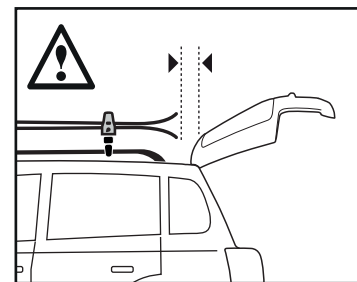
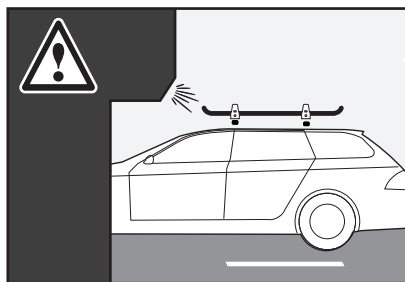
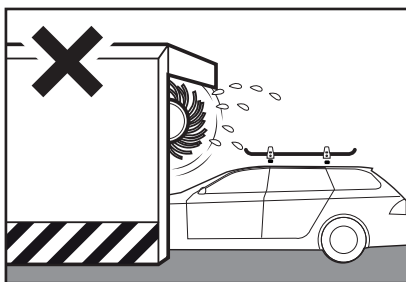
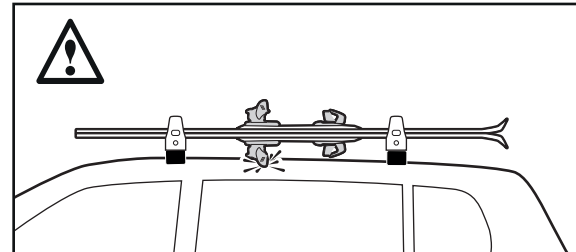
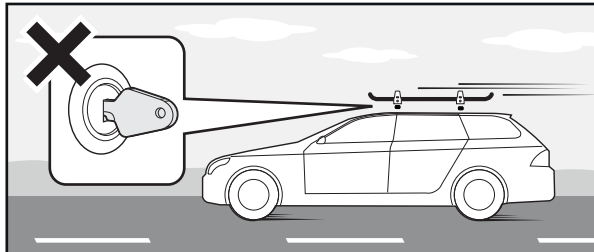
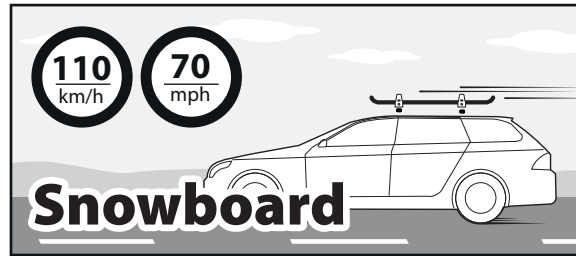
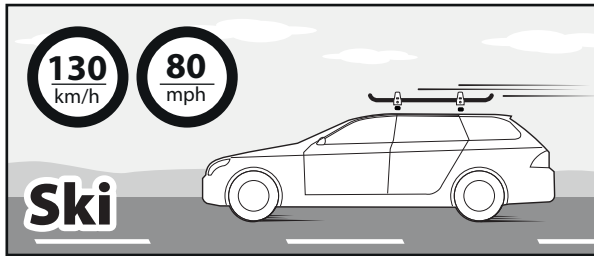
X2



16

X2





F.lli Menabò S.r.l.
 Via 8 Marzo, 3
 42025 Cavriago (RE) Italy
 e-mail: customer-care@flli-menabo.it
www.menabocaraccessories.com

Cod. Istr. 500029800001
 Data 28/09/2020

Product registration EU:

- IT) eu.menabocaraccessories.com/ita/product-support-ita
- EN) eu.menabocaraccessories.com/eng/product-support-eng
- DE) eu.menabocaraccessories.com/deu/product-support-deu
- FR) eu.menabocaraccessories.com/fra/product-support-fra
- ES) eu.menabocaraccessories.com/esp/product-support-esp

Product registration US/CA:

- EN) us.menabocaraccessories.com/en/product-support
- FR) us.menabocaraccessories.com/fr/support-produit
- ES) us.menabocaraccessories.com/es/soporte-de-producto

www.menabocaraccessories.com

Name

Surname

Email

Telephone

Serial number

Product name

[Sign in](#)