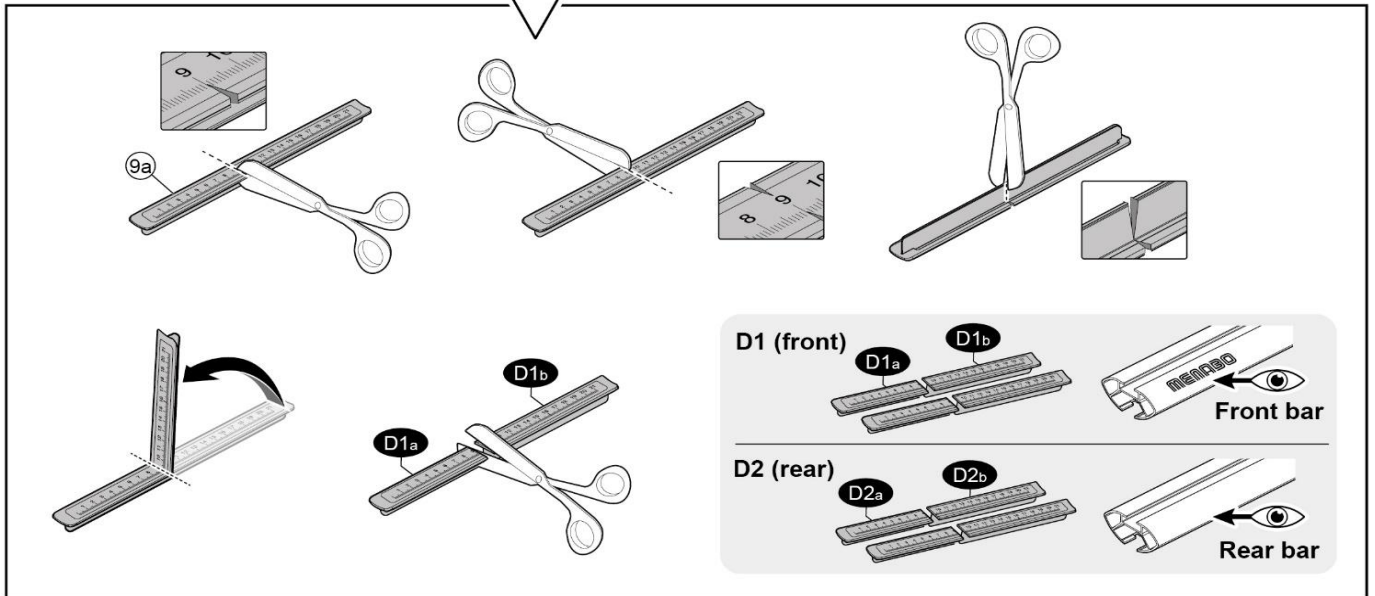
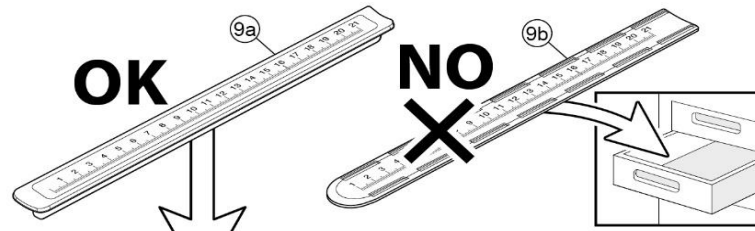


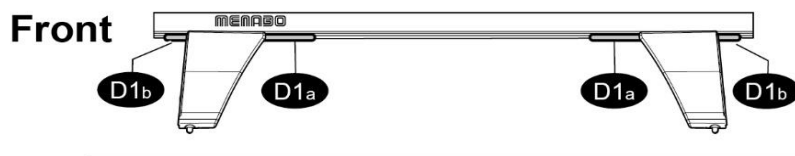
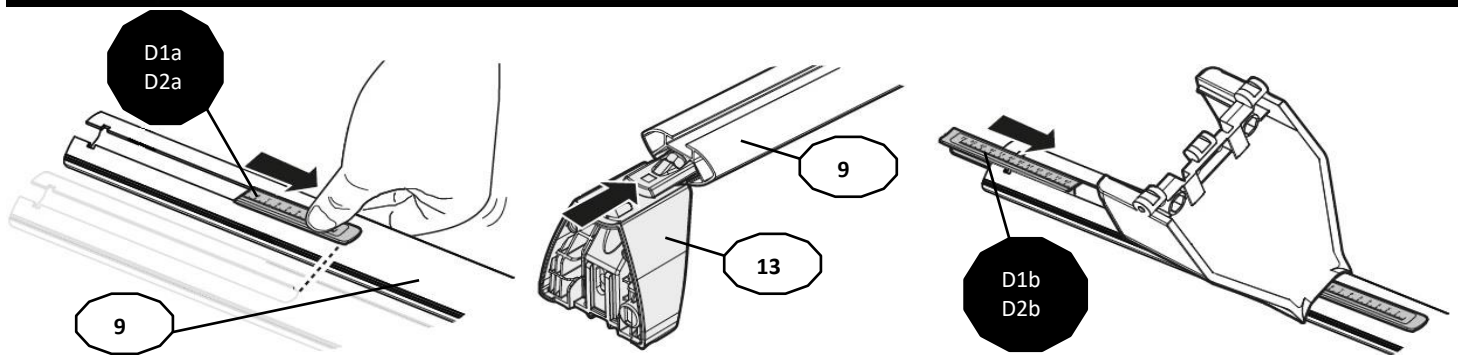


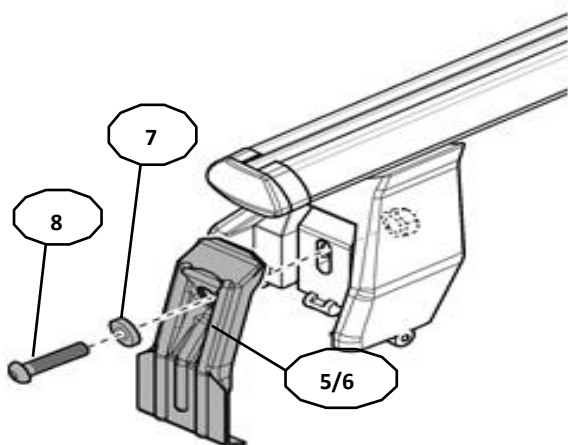
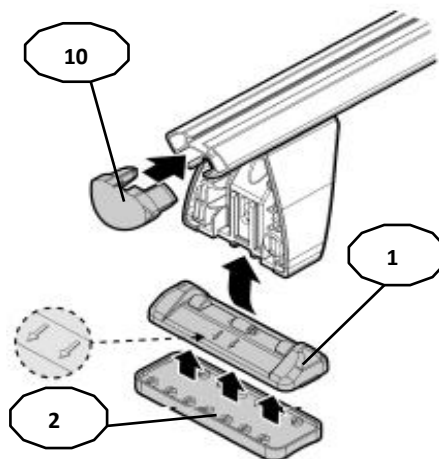
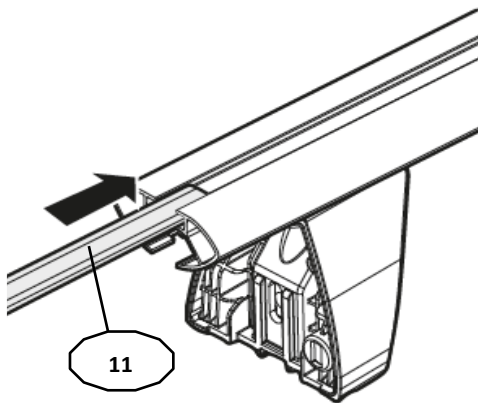
1



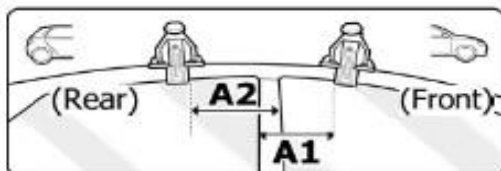
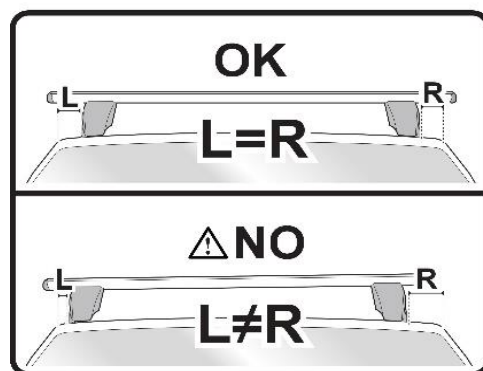
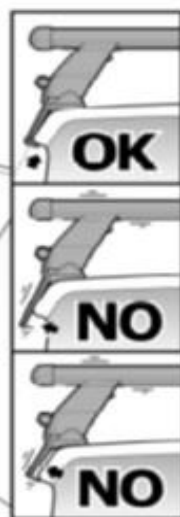
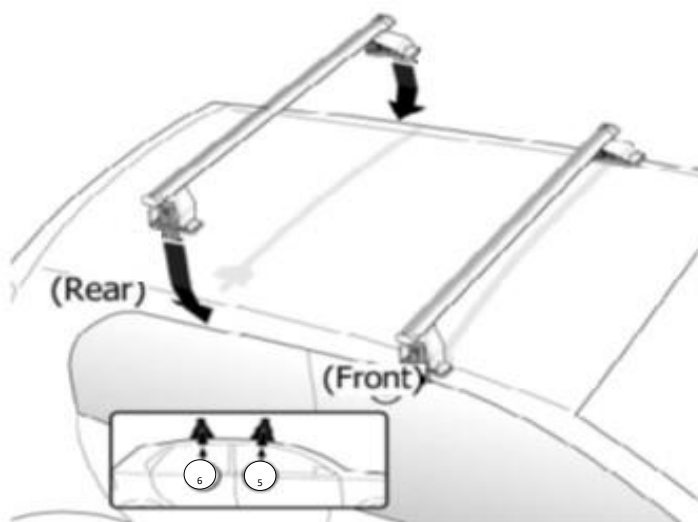
MANUFACTURER	MODEL CAR	DOORS	MODEL YEAR	D1	D2
CITROEN	Berlingo (Mk1) Van	5	96>10	7,7	8,0
CITROEN	Xsara Picasso	5	99>10	6,2	5,5
PEUGEOT	Ranch	5	01>	7,7	8,0

2

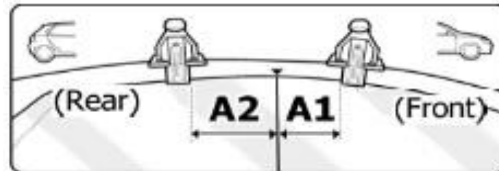




Front 5	Rear 6
31 2X	31 2X



OR



MANUFACTURER	MODEL CAR	DOORS	MODEL YEAR	A1 cm	A2 cm	A1 in	A2 in
CITROEN	Berlingo (Mk1) Van	5	96>10	X	X	X	X
CITROEN	Xsara Picasso	5	99>10	X	X	X	X
PEUGEOT	Ranch	5	01>	X	X	X	X

X = predisposizione originale /original arrangement