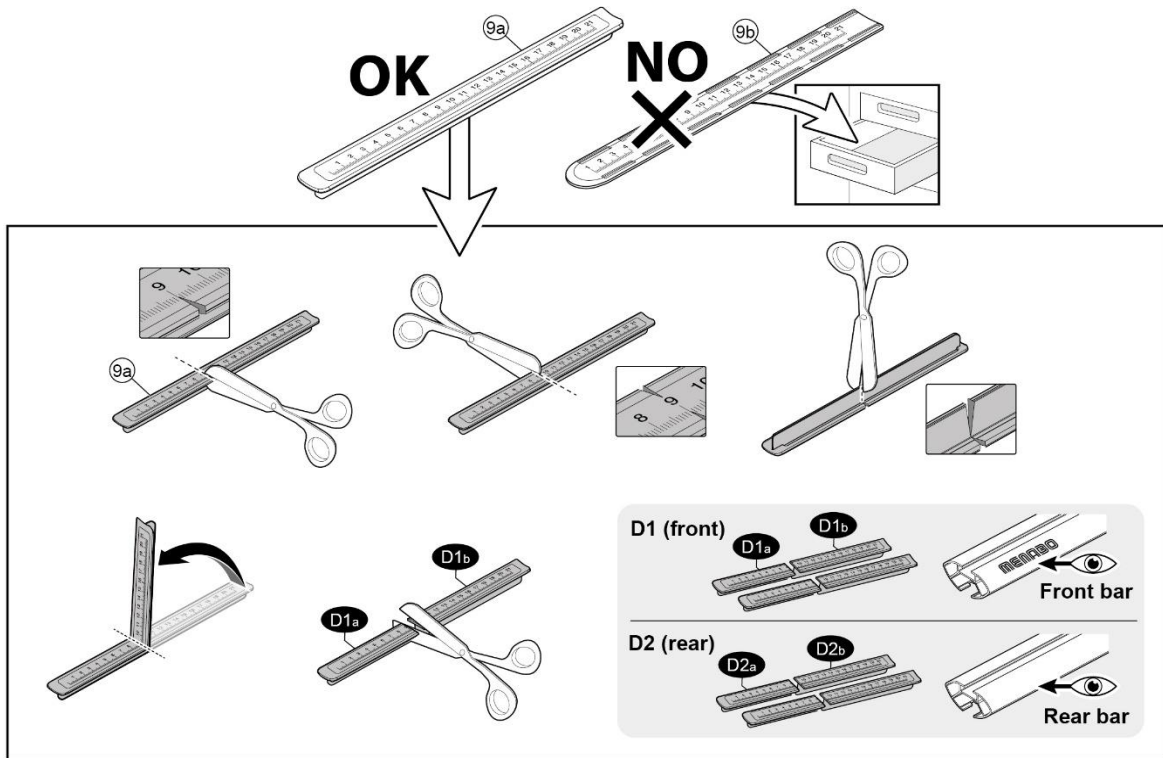


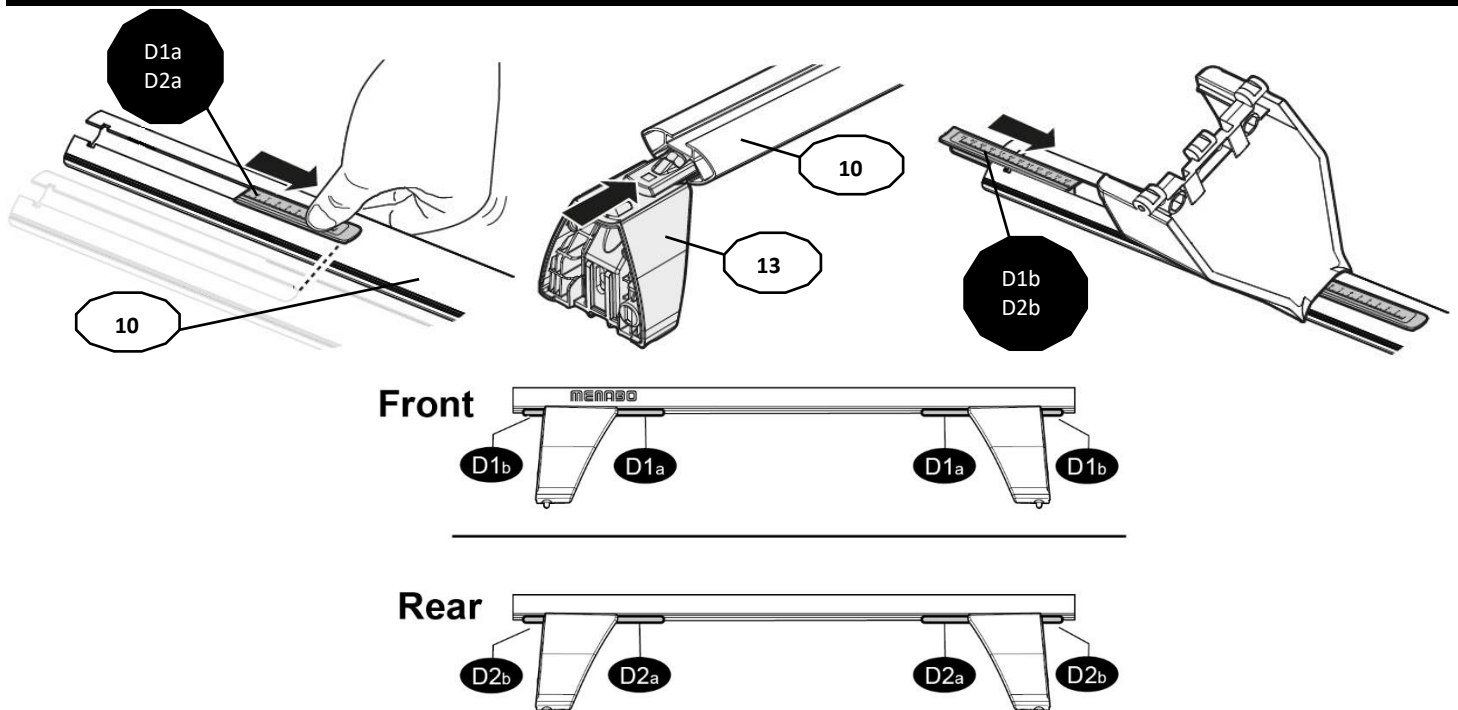


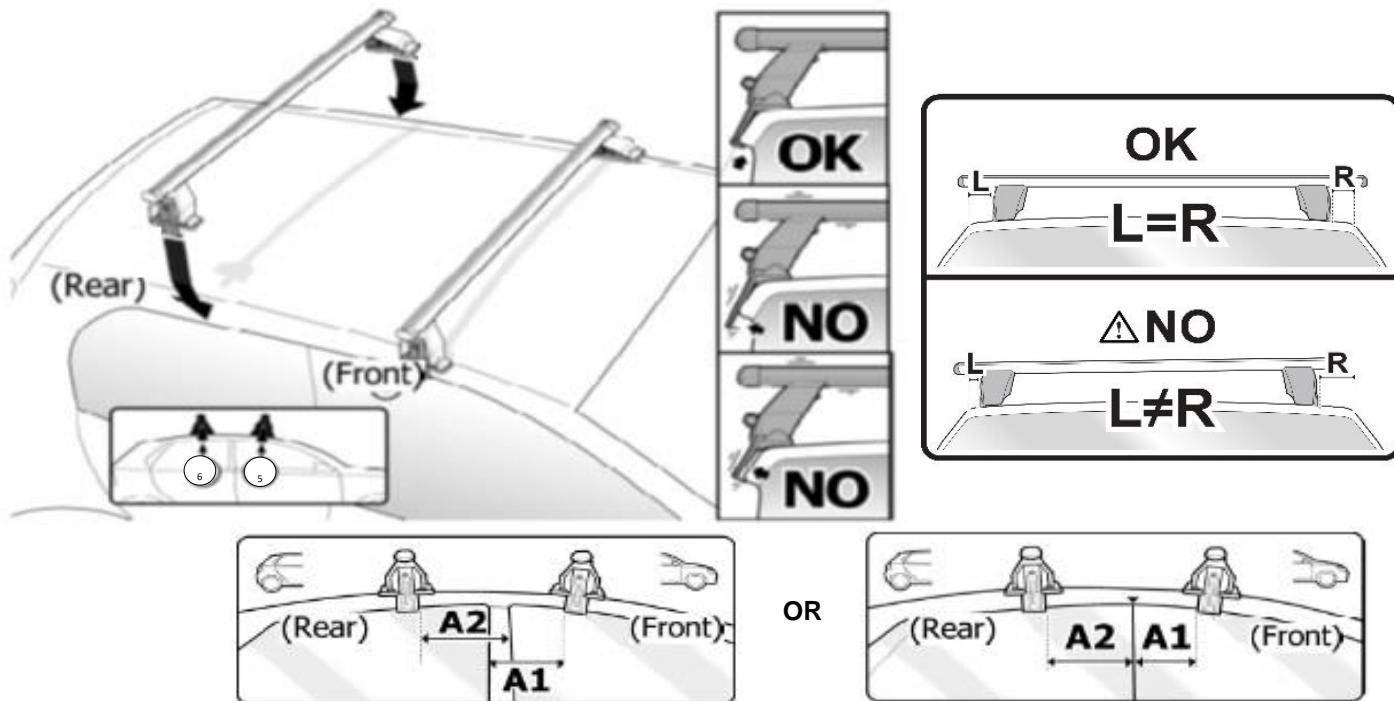
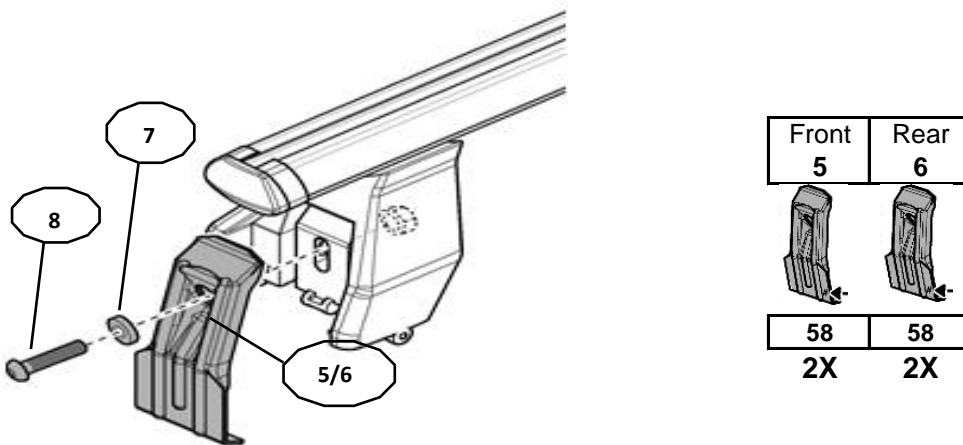
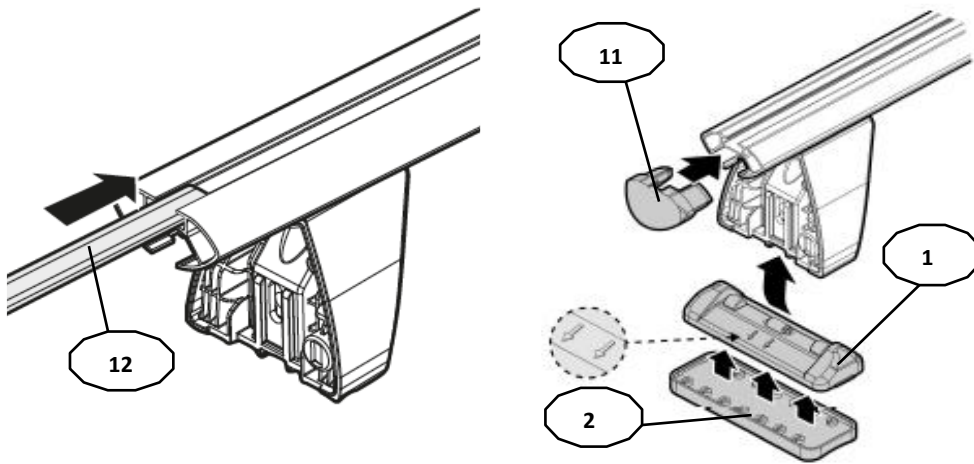
1



| MANUFACTURER | MODEL CAR | DOORS | MODEL YEAR | D1 | D2 |
|--------------|-------------------------------------|-------|------------|------|------|
| ACURA | MDX III (YD3) | 5 | 14> | 4,3 | 3,3 |
| ACURA | RDX II | 5 | 13>18 | 10,5 | 9,8 |
| ACURA | RDX III | 5 | 19> | 10,5 | 9,8 |
| HYUNDAI | Atos | 5 | 97>08 | 9,6 | 8,8 |
| KIA | Rio (UB) Hatchback | 5 | 11>15 | 12,8 | 12,8 |
| KIA | Venga (no tetto vetro / no sunroof) | 5 | 10>14 | 6,0 | 4,6 |
| SKODA | Fabia II (5J) | 5 | 07>14 | 11,9 | 11,9 |
| SKODA | Superb (3U) | 4 | 01>08 | 10,4 | 10,4 |
| SSANGYONG | Tivoli | 5 | 15> | 13,5 | 12,4 |
| TOYOTA | Corolla Verso | 5 | 04>07 | 9,5 | 9,5 |
| TOYOTA | Rav 4 (XA30) | 5 | 05>12 | 6,6 | 5,3 |

2

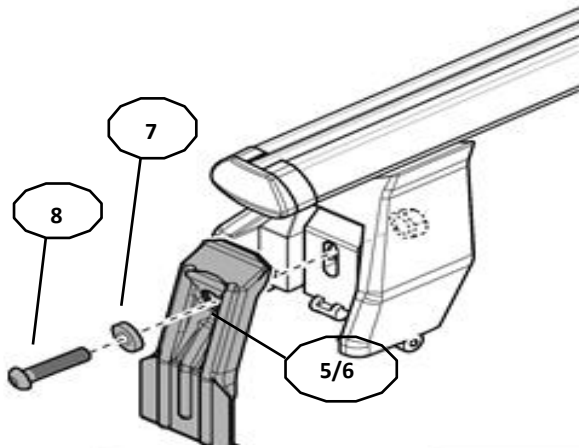




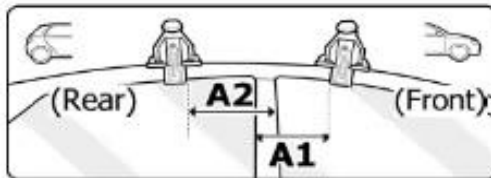
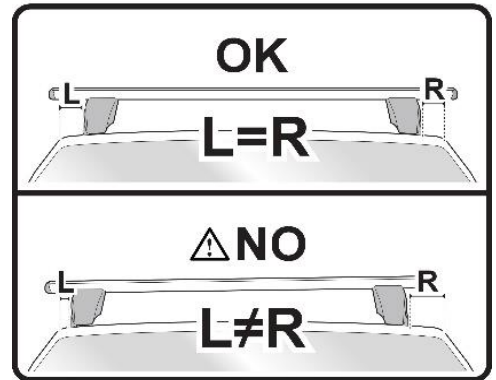
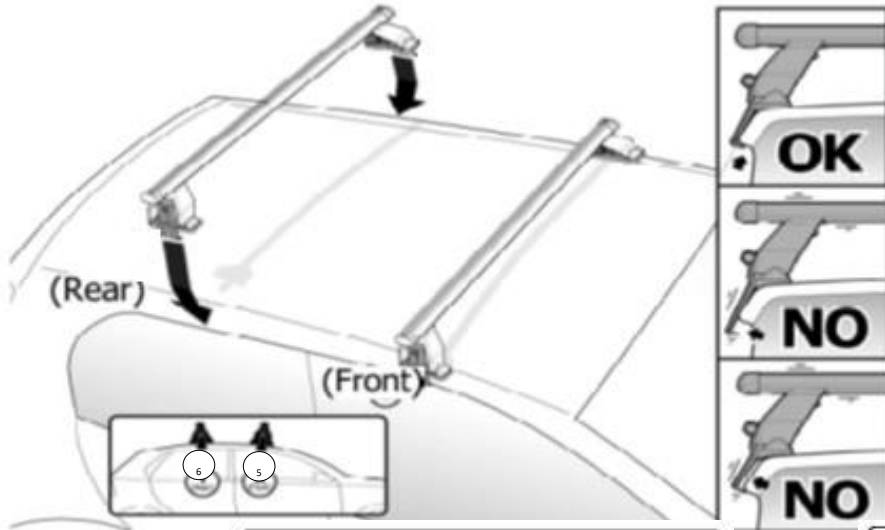
| MANUFACTURER | MODEL CAR | DOORS | MODEL YEAR | A1 | A2 | A1 | A2 |
|--------------|-------------------------------------|-------|------------|----|----|------|------|
| | | | | cm | cm | in | in |
| ACURA | MDX III (YD3) | 5 | 14> | 22 | 42 | 8,7 | 16,5 |
| ACURA | RDX II | 5 | 13>18 | 17 | 47 | 6,7 | 18,5 |
| ACURA | RDX III | 5 | 19> | 17 | 47 | 6,7 | 18,5 |
| HYUNDAI | Atos | 5 | 97>08 | 20 | 50 | 7,9 | 19,7 |
| KIA | Rio (UB) Hatchback | 5 | 11>15 | 28 | 32 | 11,0 | 12,6 |
| KIA | Venga (no tetto vetro / no sunroof) | 5 | 10>14 | 27 | 40 | 10,6 | 15,7 |
| SKODA | Fabia II (5J) | 5 | 07>14 | 21 | 55 | 8,3 | 21,7 |
| SKODA | Superb (3U) | 4 | 01>08 | 24 | 46 | 9,4 | 18,1 |

X = predisposizione originale /original arrangement

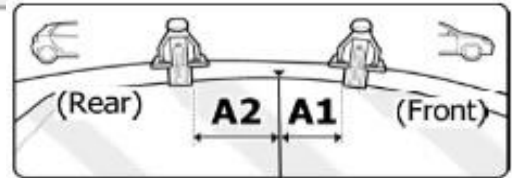




| | |
|-------|------|
| Front | Rear |
| 5 | 6 |
| | |
| 58 | 58 |
| 2X | 2X |



OR



| MANUFACTURER | MODEL CAR | DOORS | MODEL YEAR | A1 | A2 | A1 | A2 |
|--------------|---------------|-------|------------|----|----|------|------|
| | | | | cm | cm | in | in |
| SSANGYONG | Tivoli | 5 | 15> | 24 | 45 | 9,4 | 17,7 |
| TOYOTA | Corolla Verso | 5 | 04>07 | 25 | 42 | 9,8 | 16,5 |
| TOYOTA | Rav 4 (XA30) | 5 | 05>12 | 30 | 40 | 11,8 | 15,7 |

X = predisposizione originale /original arrangement