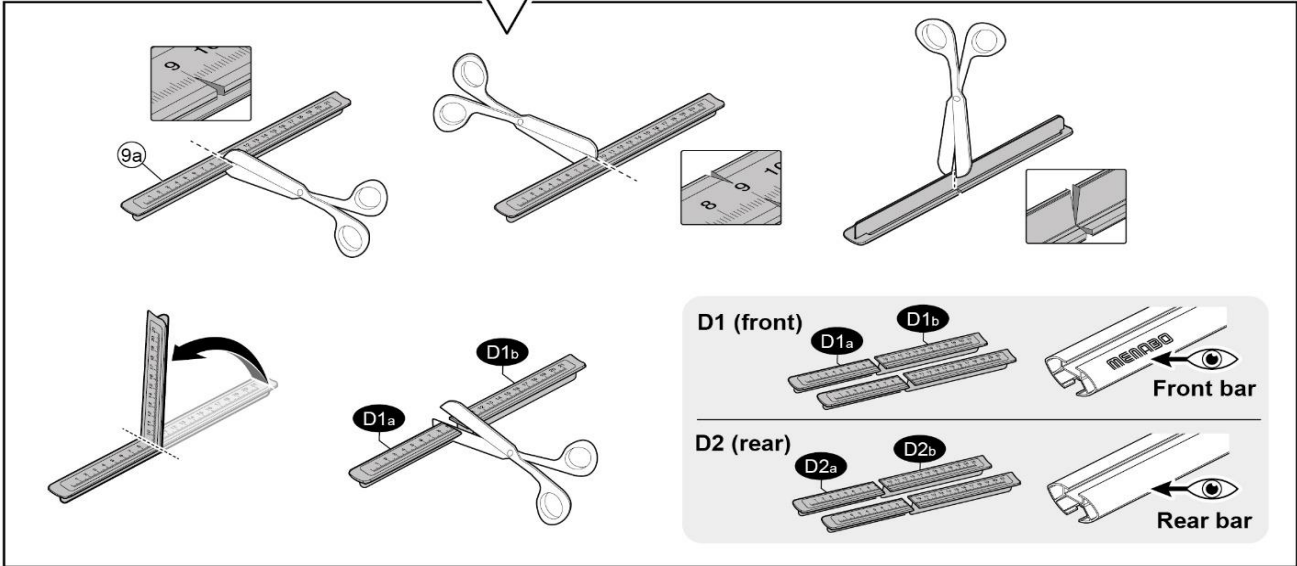
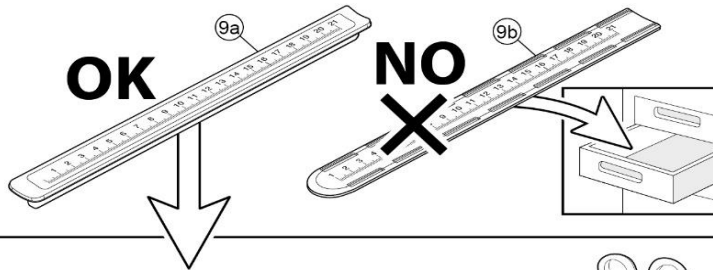


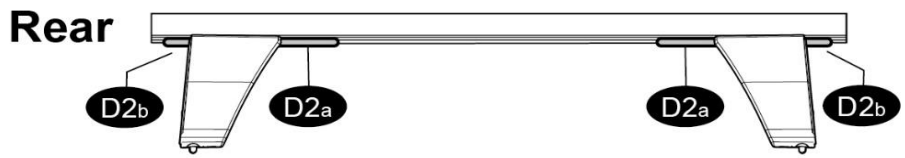
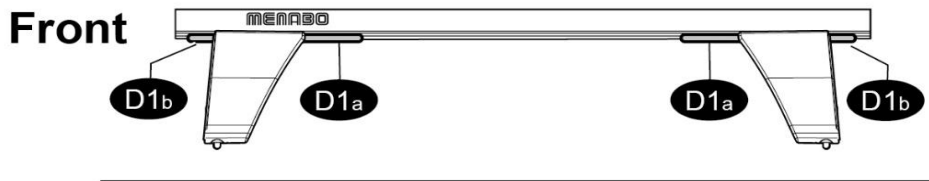
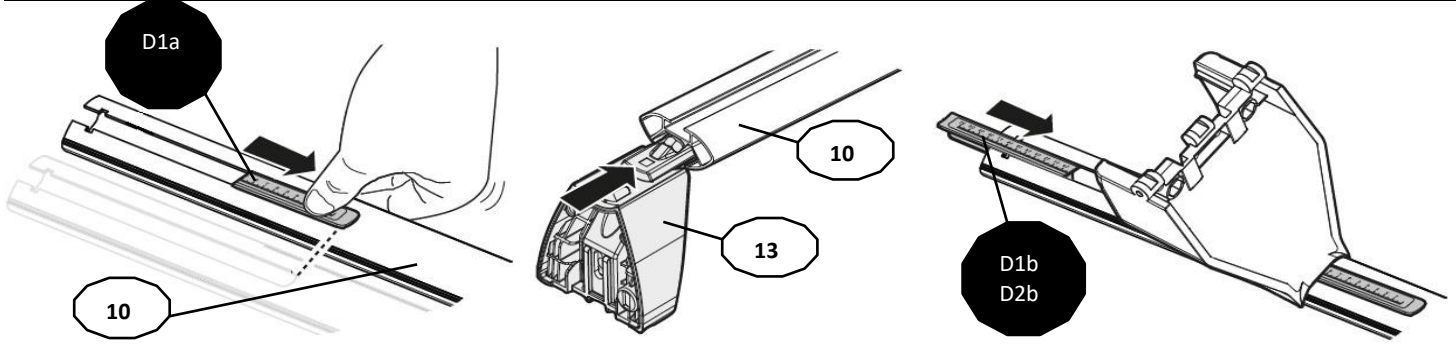


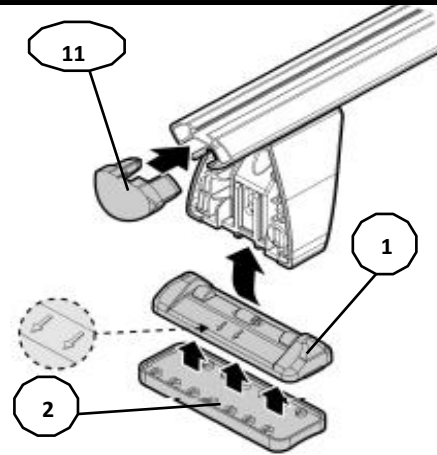
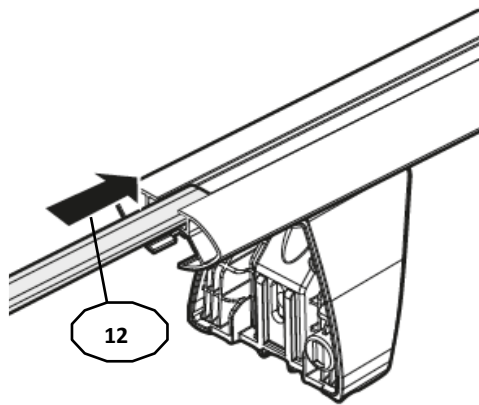
1



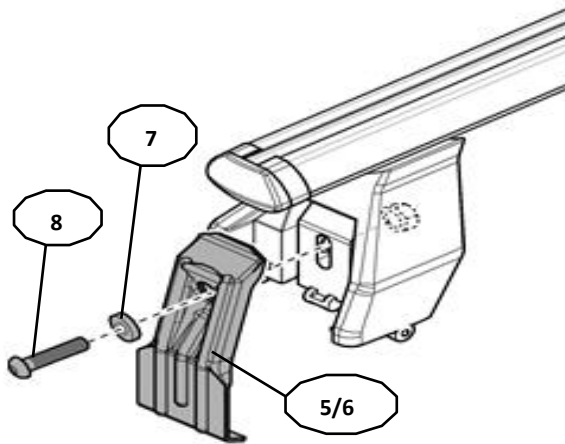
MANUFACTURER	MODEL CAR	DOORS	MODEL YEAR	D1	D2
SEAT	Ateca	5	16>	9,0	7,5
SUBARU	WRX STI	4	17>	7,2	7,2
VOLKSWAGEN	Polo VI (AW)	5	17>	2,8	2,3

2

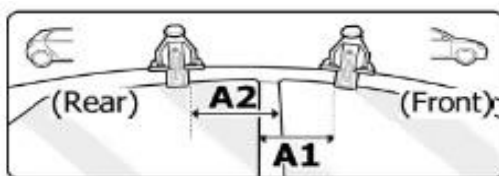
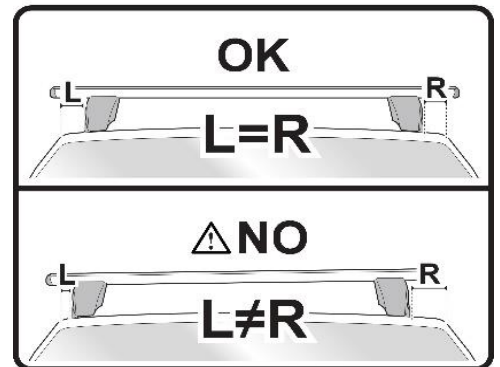
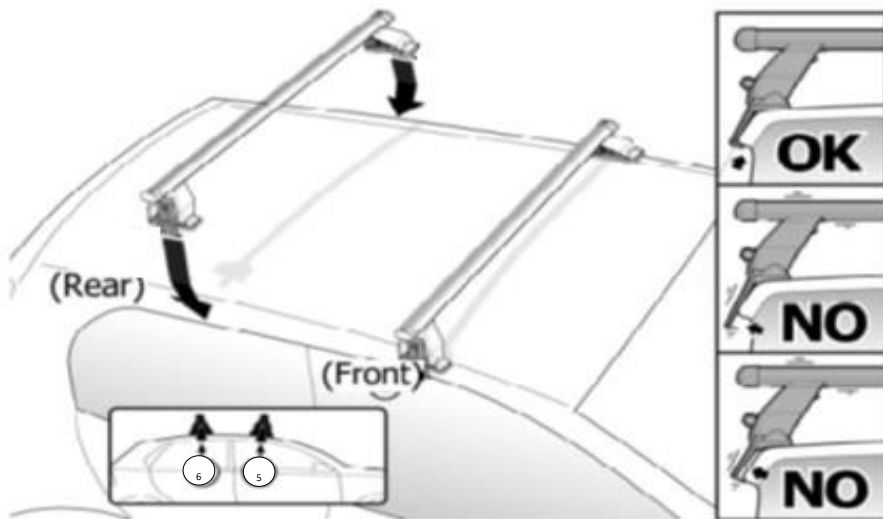




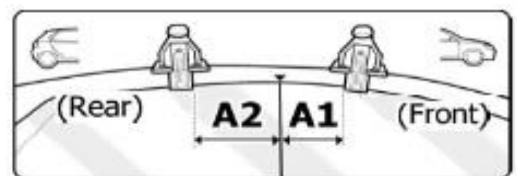
x4



Front	Rear
5	6
50R	3R
2X	2X



OR

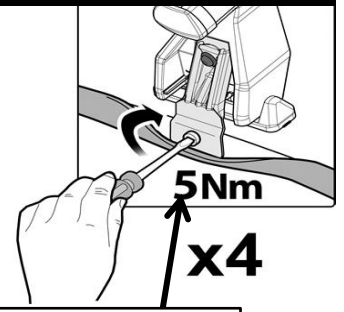


MANUFACTURER	MODEL CAR	DOORS	MODEL YEAR	A1	A2	A1	A2
				cm	cm	in	in
SEAT	Ateca	5	16>	18	49	7,1	19,3
SUBARU	WRX STI	4	17>	27	41	10,6	16,1
VOLKSWAGEN	Polo VI (AW)	5	17>	32	X	12,6	X

X = predisposizione originale /original arrangement

4a

MANUFACTURER	MODEL CAR	DOORS	MODEL YEAR
VOLKSWAGEN	Polo VI (AW)	5	17>



n°4 M6x12 incluse -