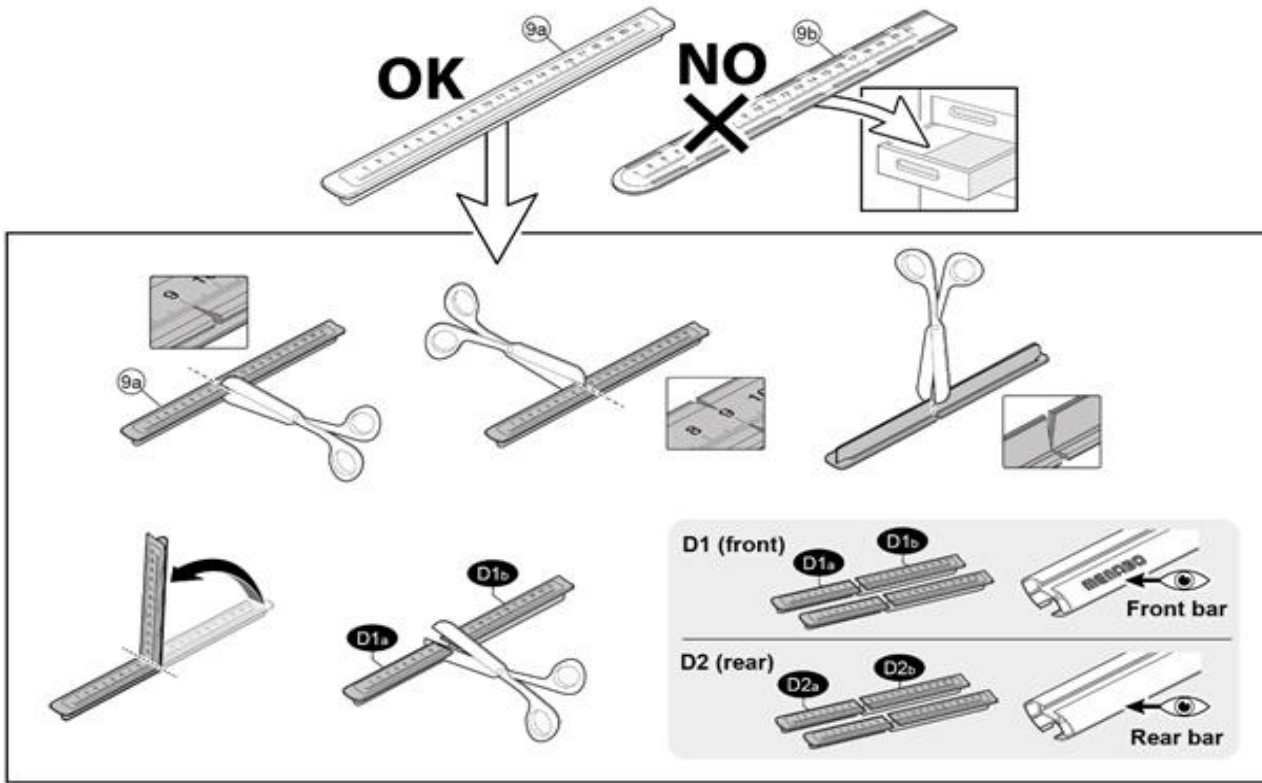


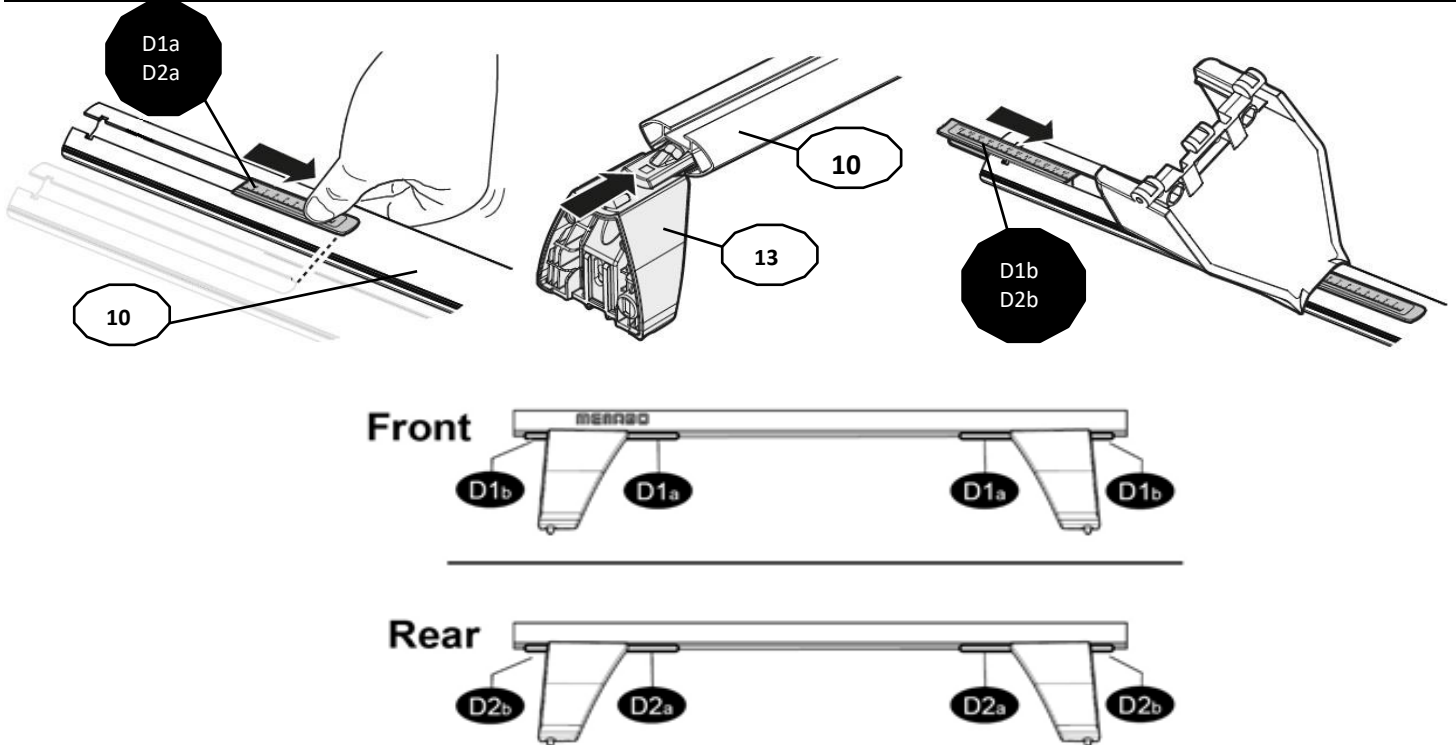


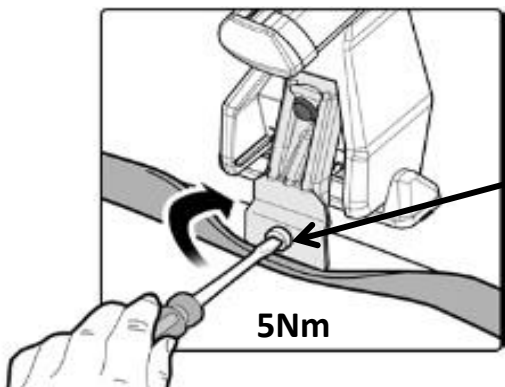
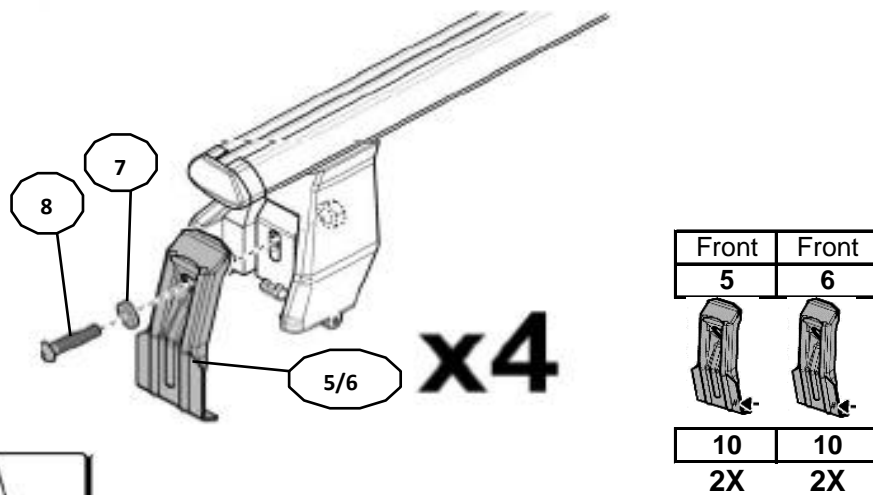
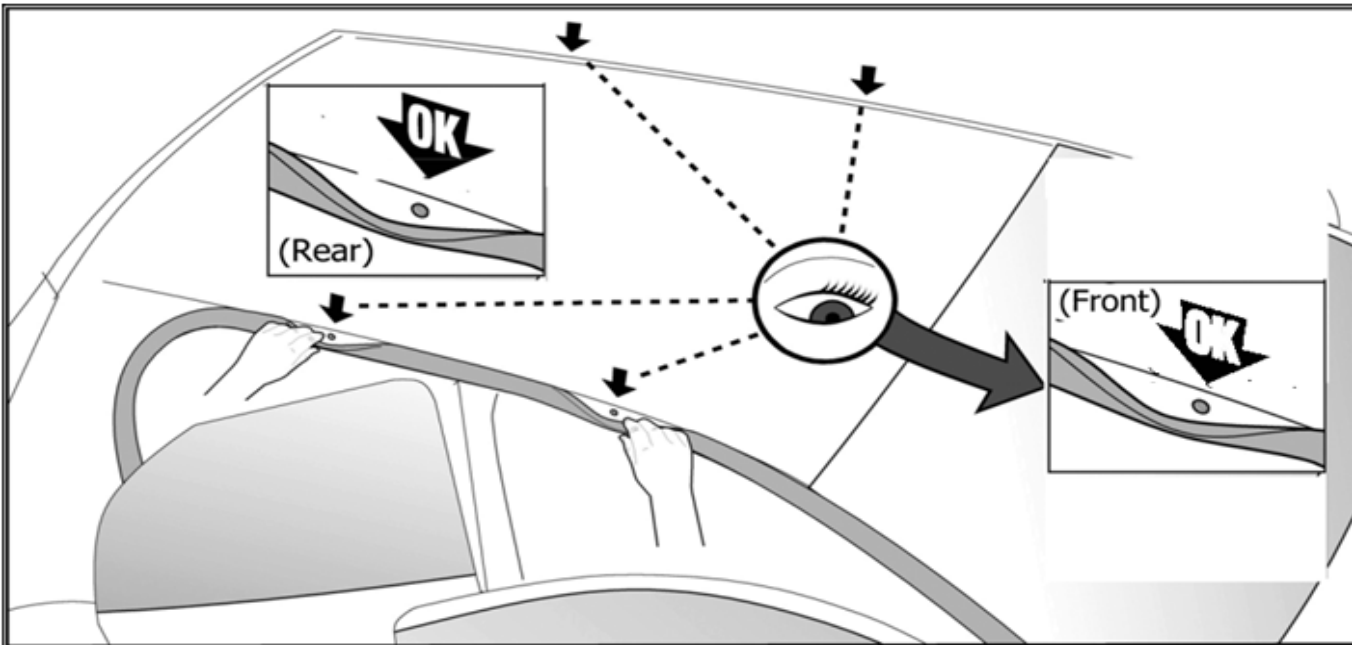
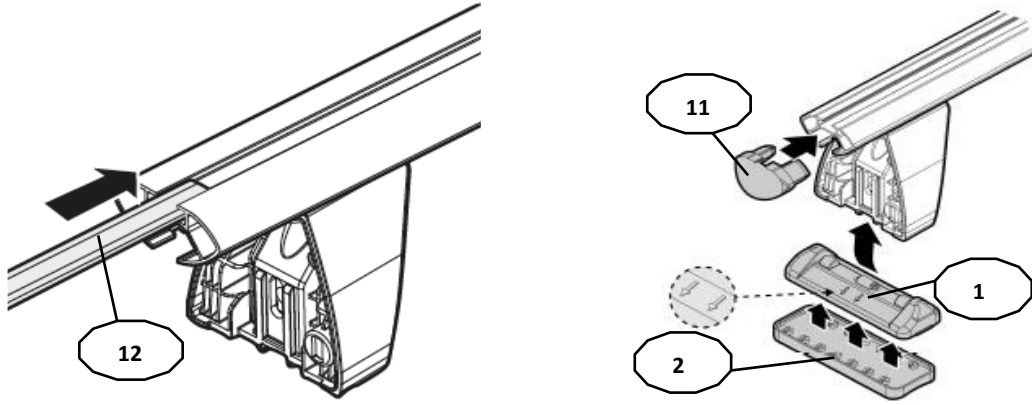
1



MANUFACTURER	MODEL CAR	DOORS	MODEL YEAR	D1	D2
PEUGEOT	405 / Sedan	4	95>	4,3	7,2
PEUGEOT	Pars / Persia / Safir	4	01>	4,3	7,2

2





⊕ M8x15 include - included

5Nm