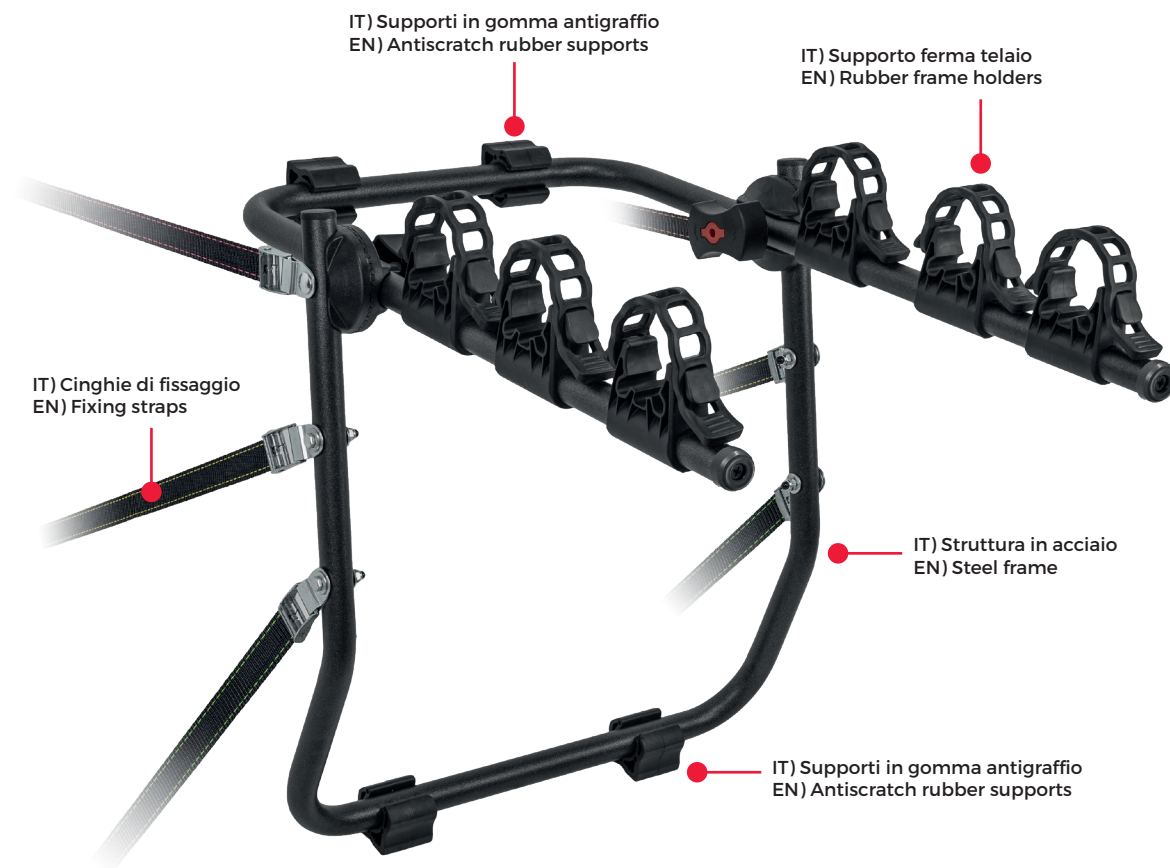
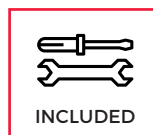


MISTRAL



Watch video

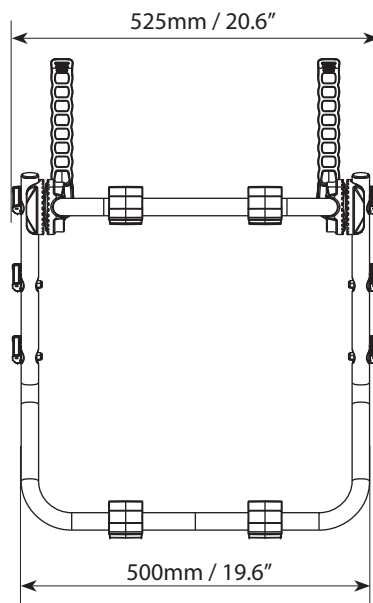
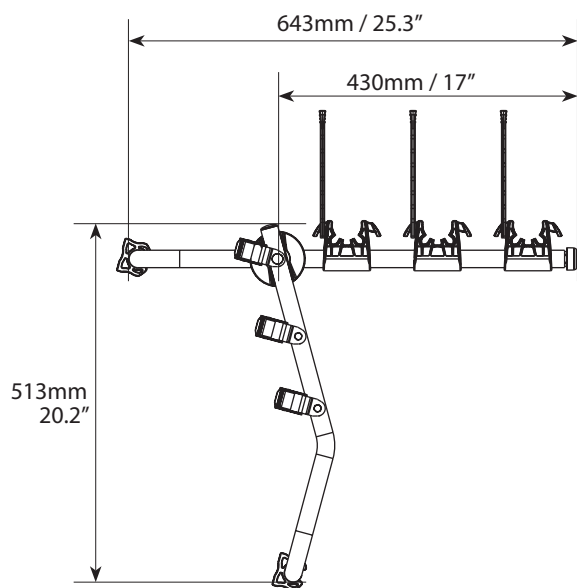


IT) Portabici posteriore in acciaio adatto al trasporto di tre biciclette. Sicuro, semplice e rapido da montare. Una volta richiuso, occupa pochissimo spazio.

EN) Rear mounted bike rack, completely steel made, suitable for carrying three bikes. Easy and quick to install on the car's hatch, it is extremely safe. When folded, it takes very few space.

Art. 000009000000





Art.	000009000000
	3,7kg/8lb
Materiale Material Matière	Acciaio Steel Stahl Acero Acier
	max 45kg/99lb
	x
	x
Max	3
Fat bike	✓
E-bike	x

Mod.	MISTRAL
Art.N°	000009000000
	L x W x H : 67x52,5x10 cm / 26.3x20.6x4" 4,9 Kg / 10.8lb
	L x W x H : 60x40x70 cm / 23.6x15.7x27.5" 26 Kg / 57.3lb Pz : 5
	L x W x H : 120x80x195 cm / 47.2x31.5x76.7" 280 Kg / 617.3lb Pz : 50
Ean-13	 8 003168 117070

COMPATIBILITÀ BICI / BIKE COMPATIBILITY / VÉLOS COMPATIBLES / BICICLETAS COMPATIBLES / PASSENDE FAHRRÄDER

Art.					
MISTRAL	 min: 25mm/1" max: 60mm/2.3"	 min: 30x50mm/1.2x2" max: 50x75mm/ 2x3"	No limit	No limit	No limit

F.lli Menabò s.r.l.

Via 8 Marzo 3,
42025 Cavriago (RE), Italy
costomercare@flli-menabo.it
www.menabocaraccessories.com