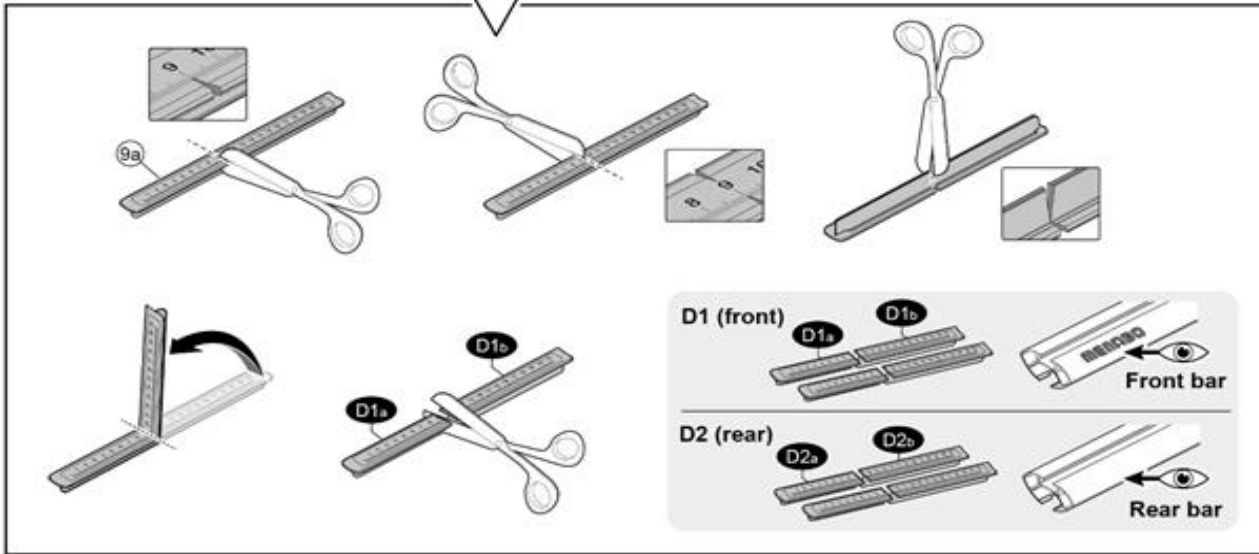
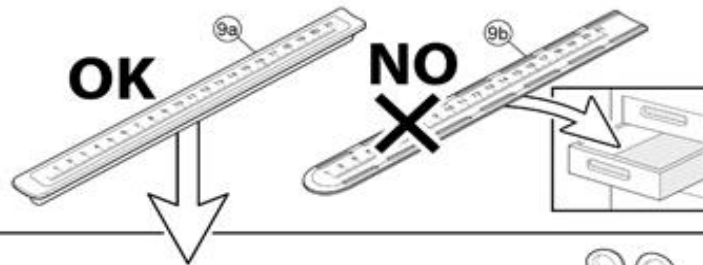


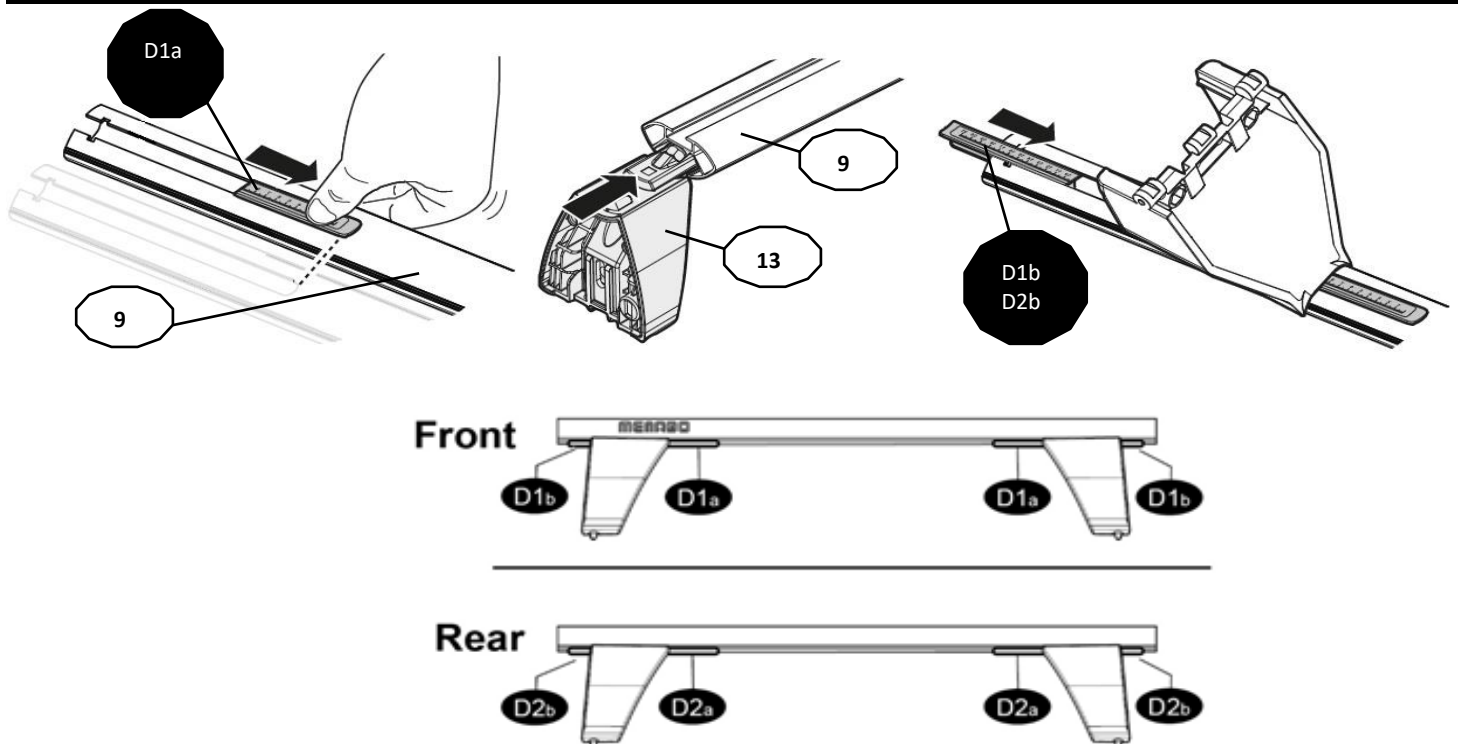


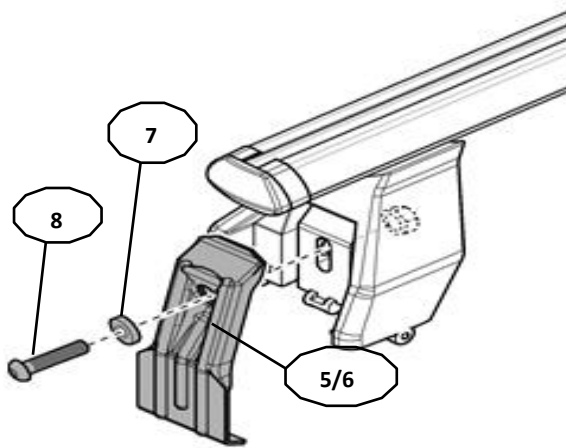
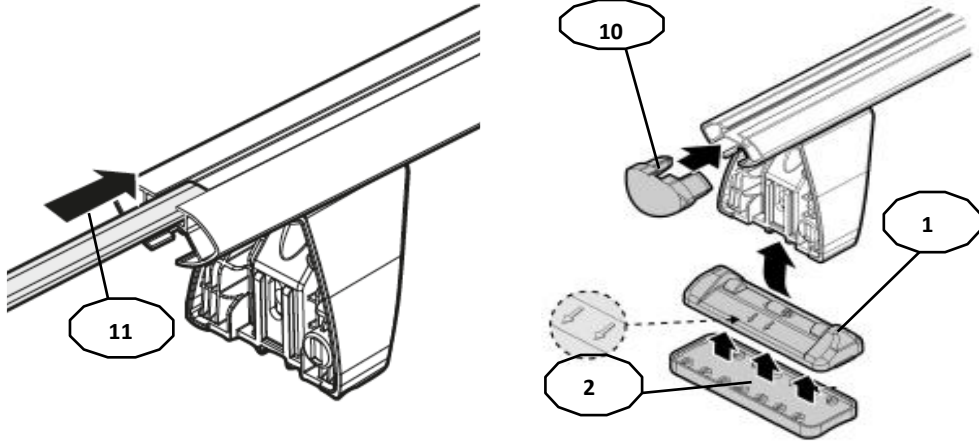
1



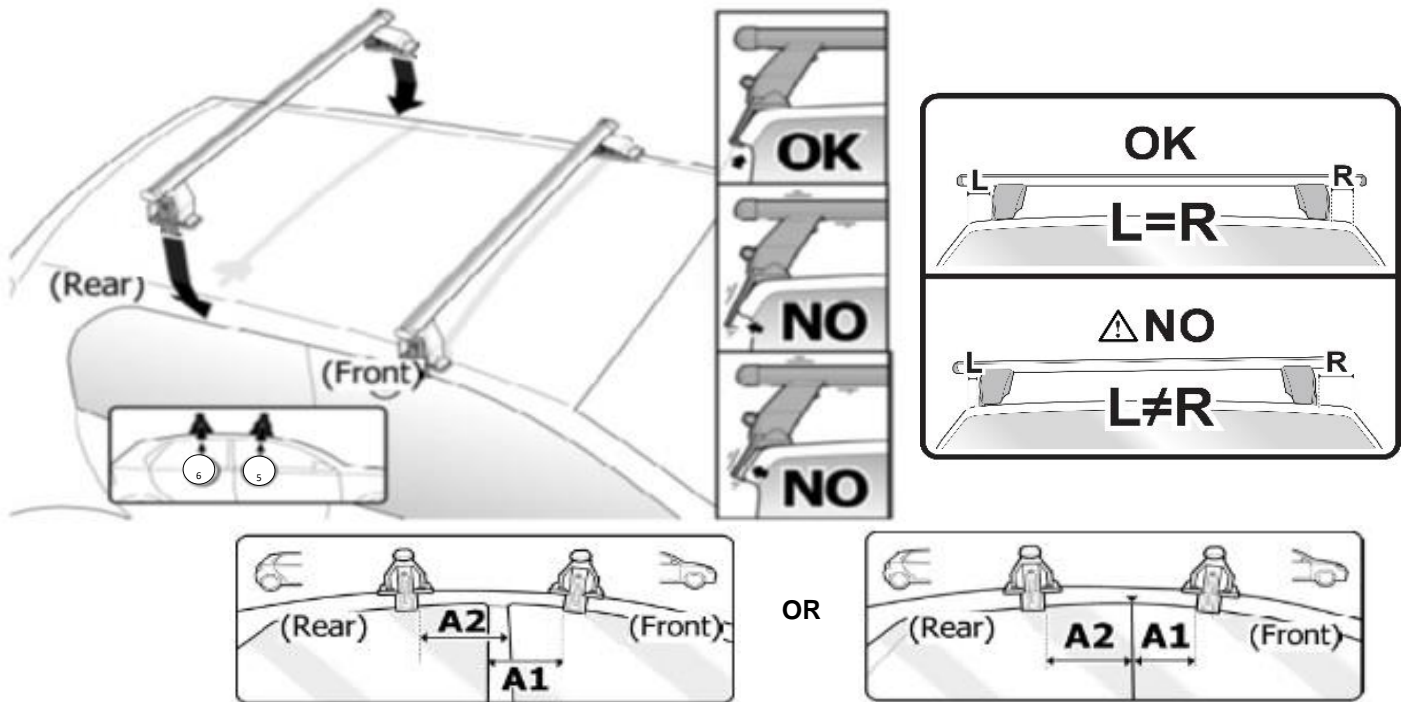
MANUFACTURER	MODEL CAR	DOORS	MODEL YEAR	D1	D2
RENAULT	Clio II	3	98>05	2,7	8,1
RENAULT	Clio Storia/Campus	3	05>12	2,7	8,1

2





Front	Rear
5	6
29	11R
2X	2X



MANUFACTURER	MODEL CAR	DOORS	MODEL YEAR	A1 cm	A2 cm	A1 in	A2 in
RENAULT	Clio II	3	98>05	X	39	X	15,4
RENAULT	Clio Storia/Campus	3	05>12	X	39	X	15,4

X = predisposizione originale /original arrangement