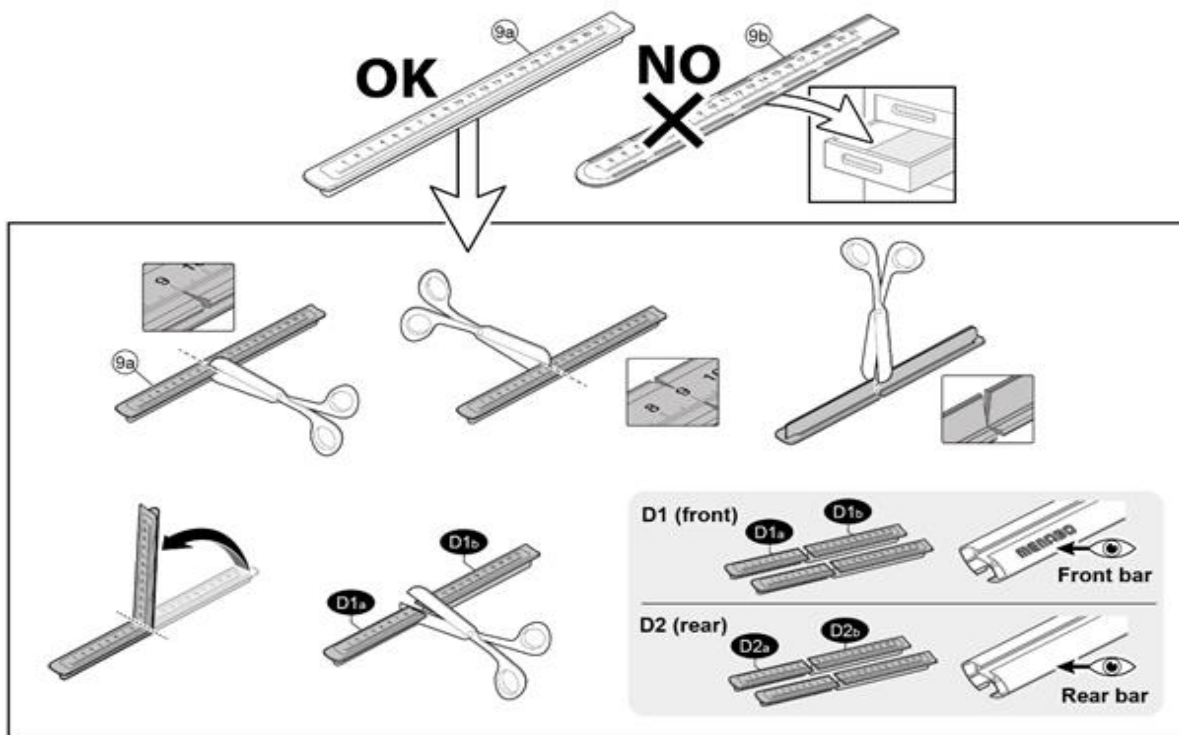


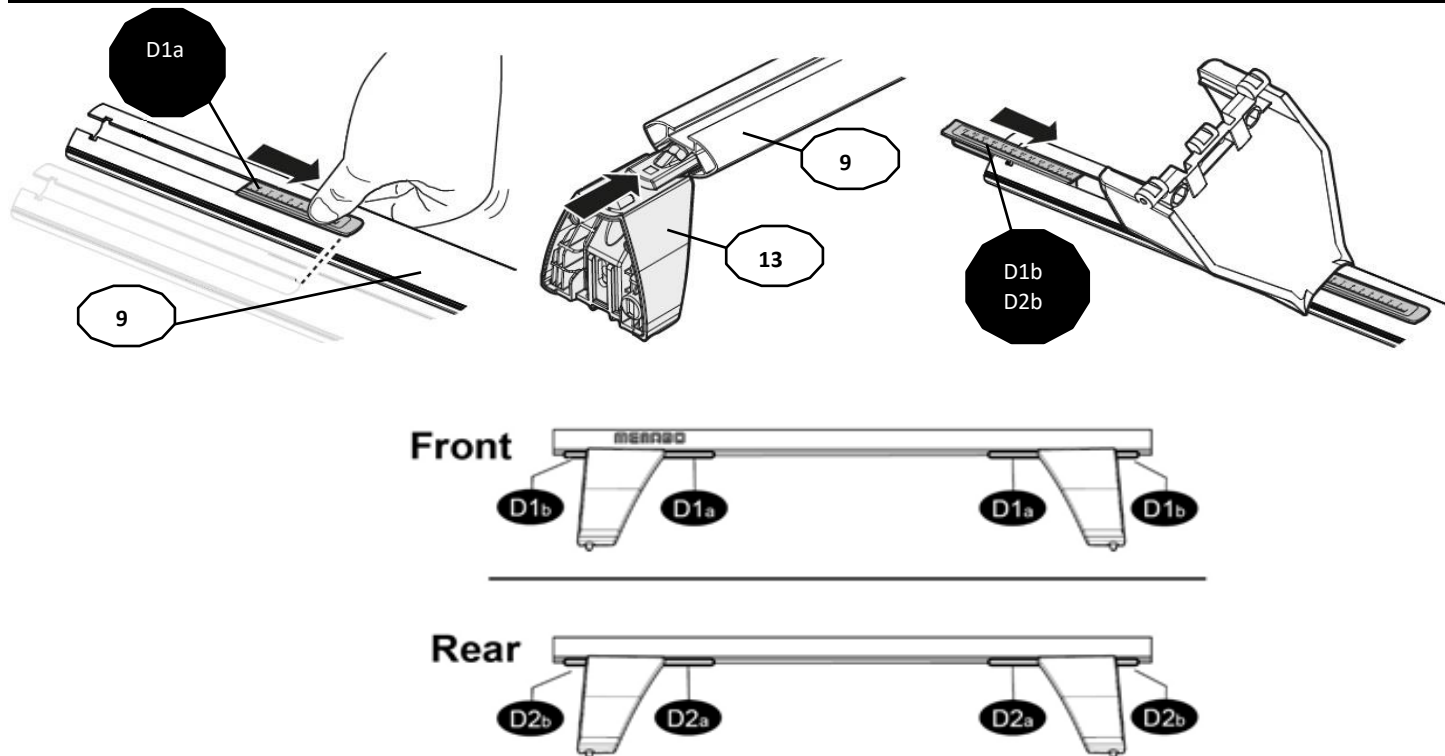


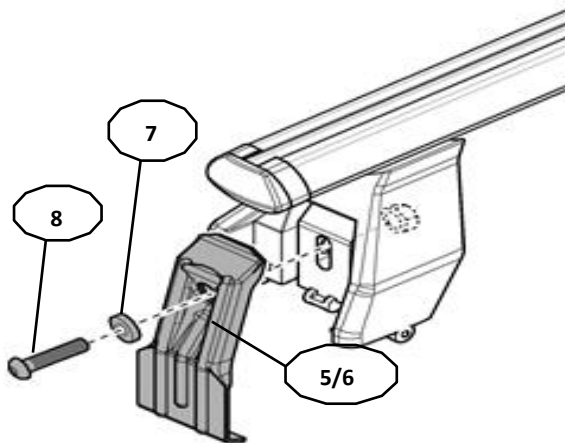
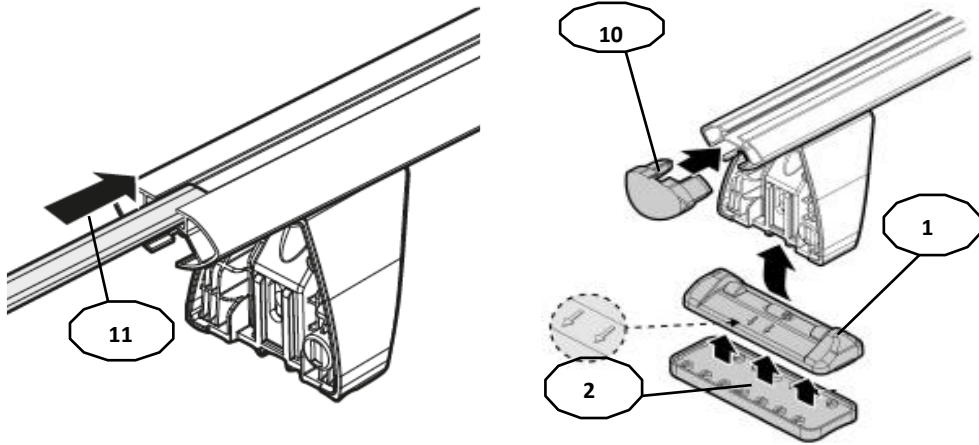
1



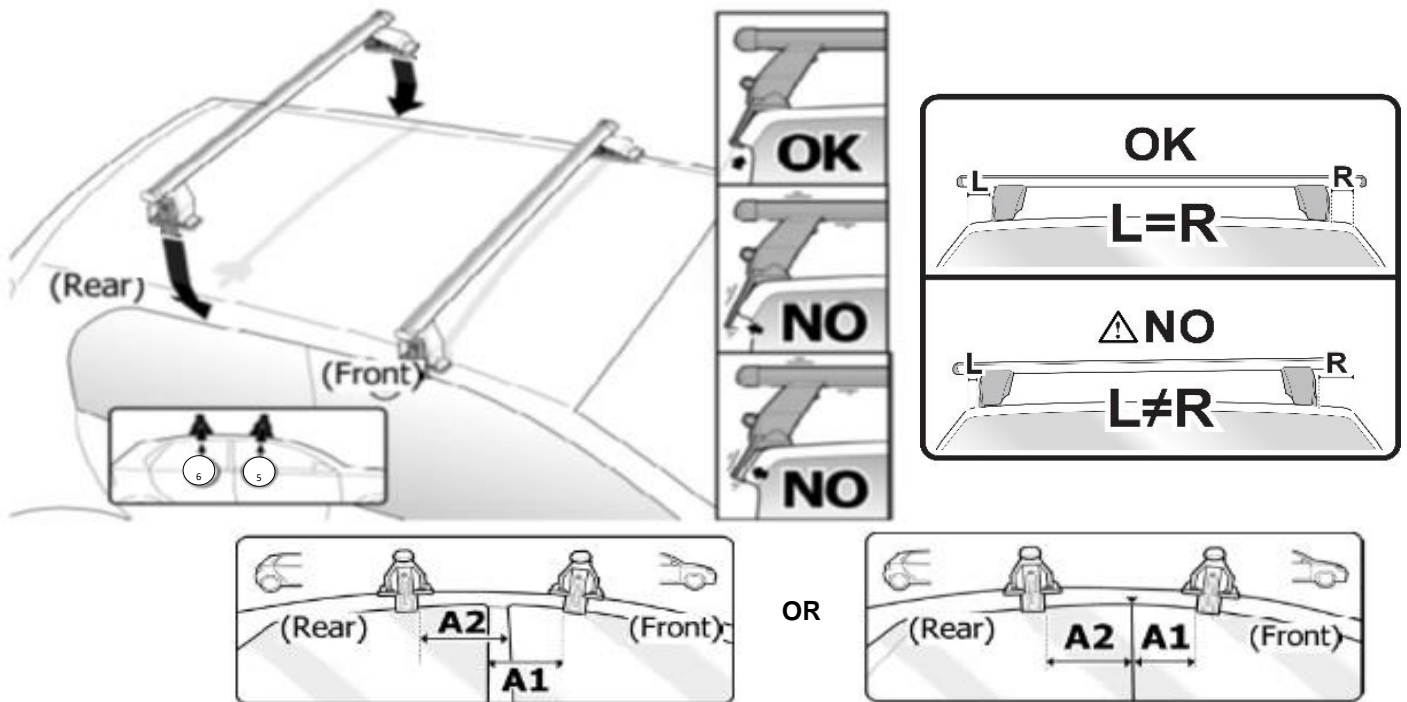
MANUFACTURER	MODEL CAR	DOORS	MODEL YEAR	D1	D2
FORD	Kuga II	5	12>	2,4	9,1
VOLKSWAGEN	Polo V (6R/6C)	3	09>17	12,3	

2





Front	Rear
5	6
40	13R
2X	2X



MANUFACTURER	MODEL CAR	DOORS	MODEL YEAR	A1	A2	A1	A2
				cm	cm	in	in
FORD	Kuga II	5	12>	15	55	5,9	21,7
VOLKSWAGEN	Polo V (6R/6C)	3	09>17	49	X	19,3	X

X = predisposizione originale /original arrangement