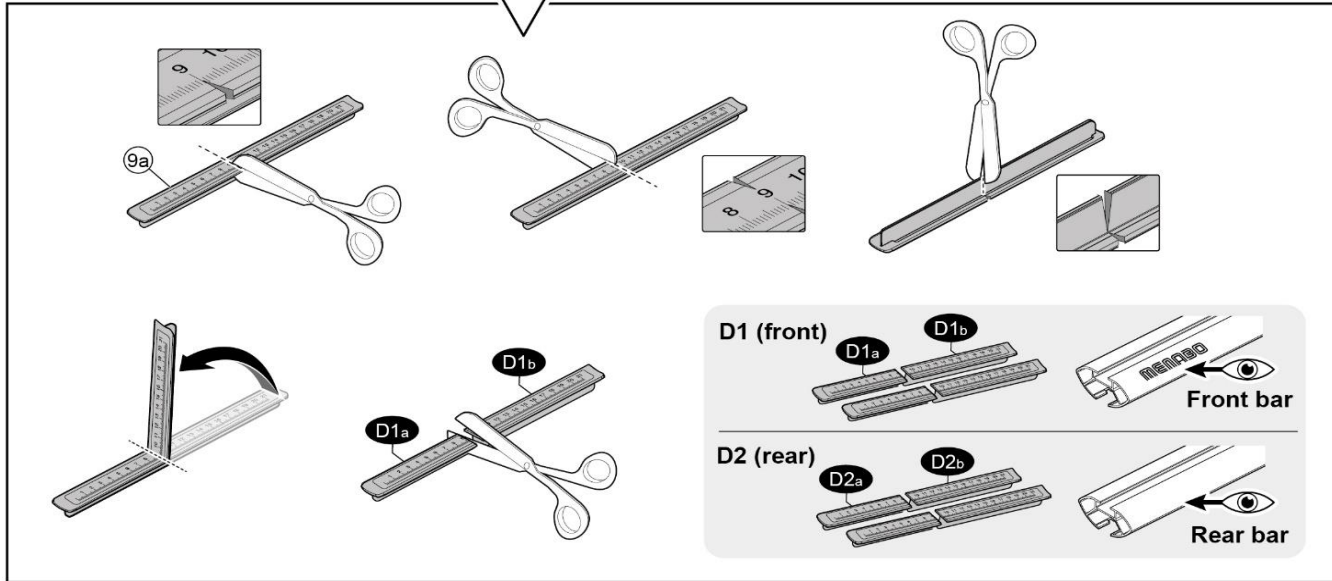
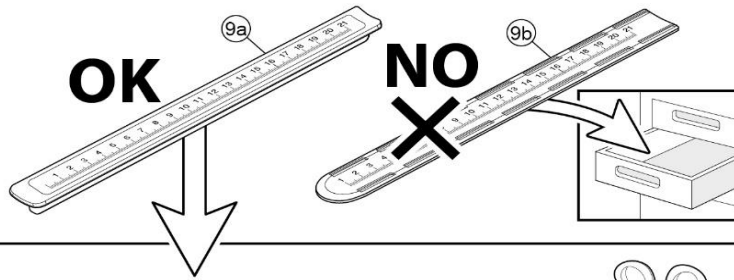


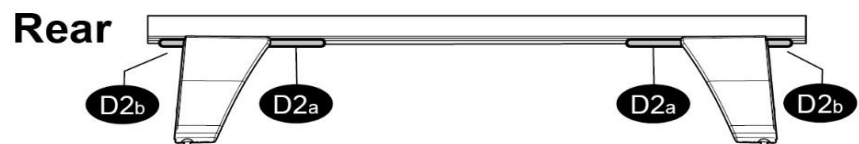
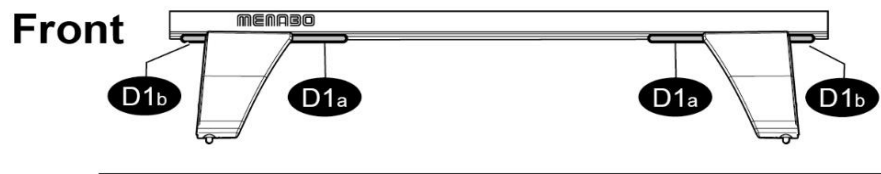
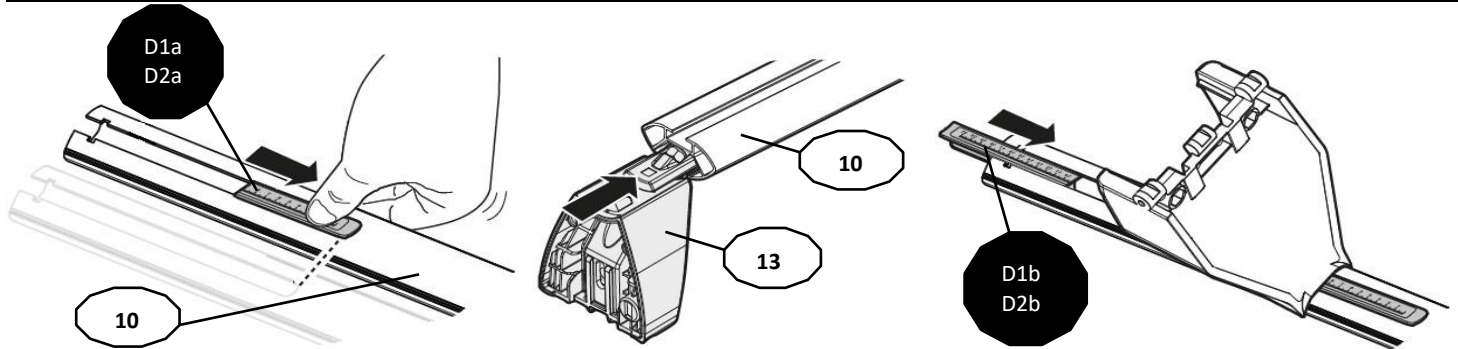


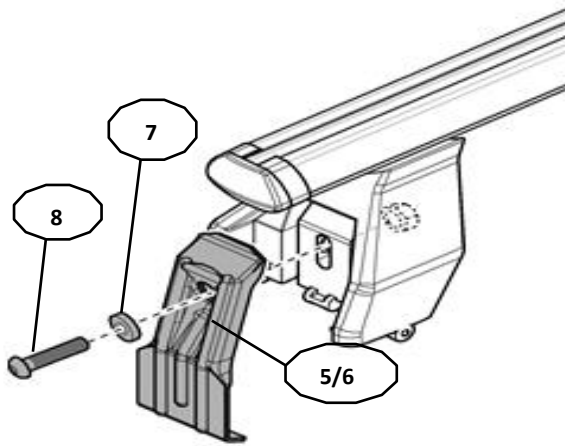
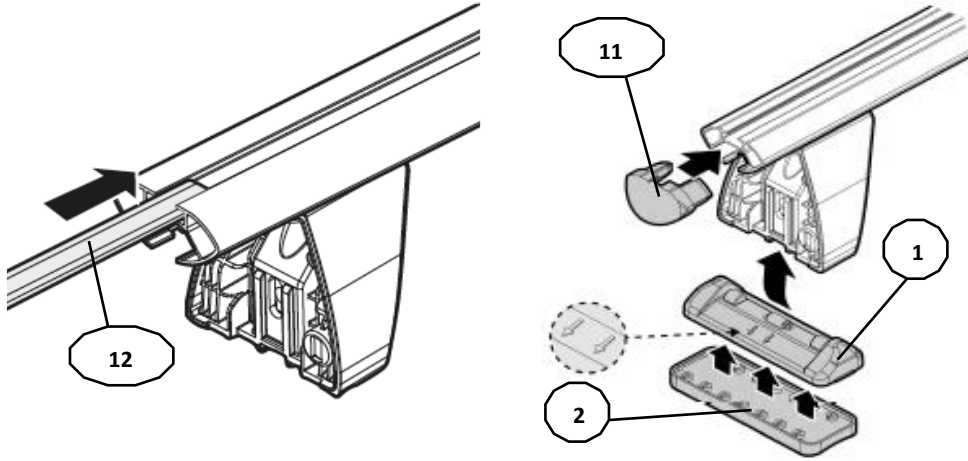
1



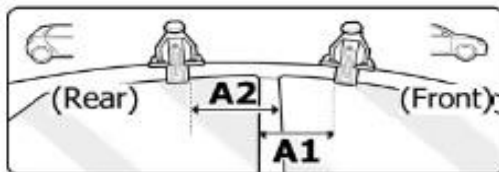
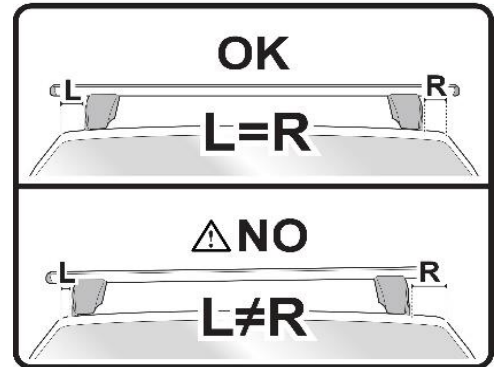
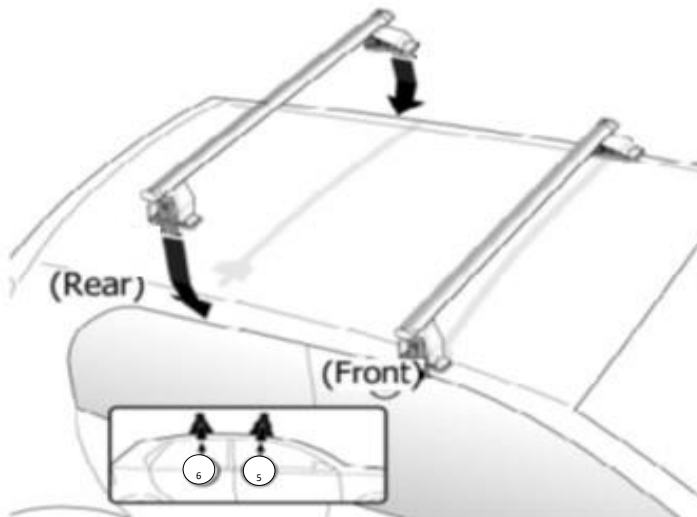
MANUFACTURER	MODEL CAR	DOORS	MODEL YEAR	D1	D2
LAND ROVER	Discovery Sport (L550)	5	15>	10,4	11,0

2

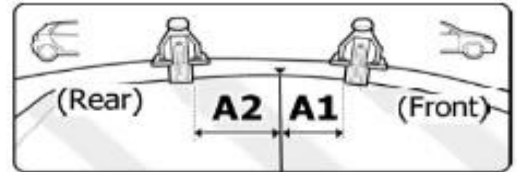




Front	Rear
5	6
14	38
2X	2X



OR



MANUFACTURER	MODEL CAR	DOORS	MODEL YEAR	A1 cm	A2 cm	A1 in	A2 in
LAND ROVER	Discovery Sport (L550)	5	15>	23	45	9,1	17,7

X = predisposizione originale /original arrangement