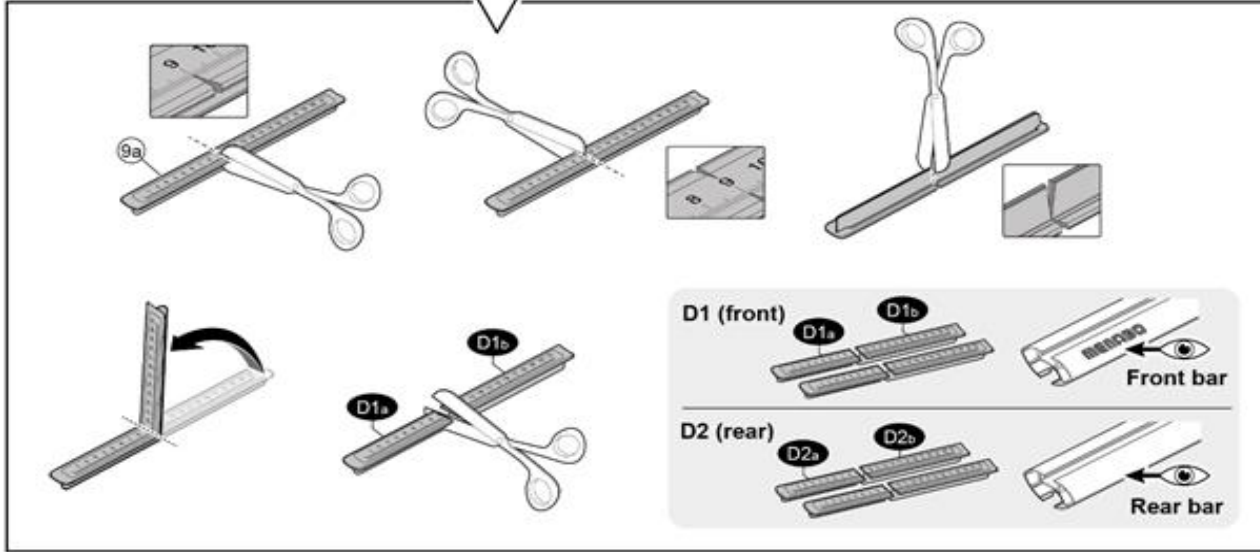
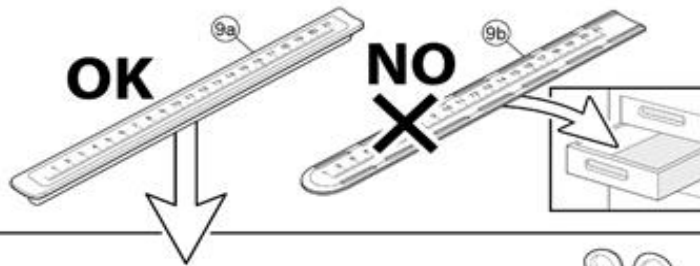


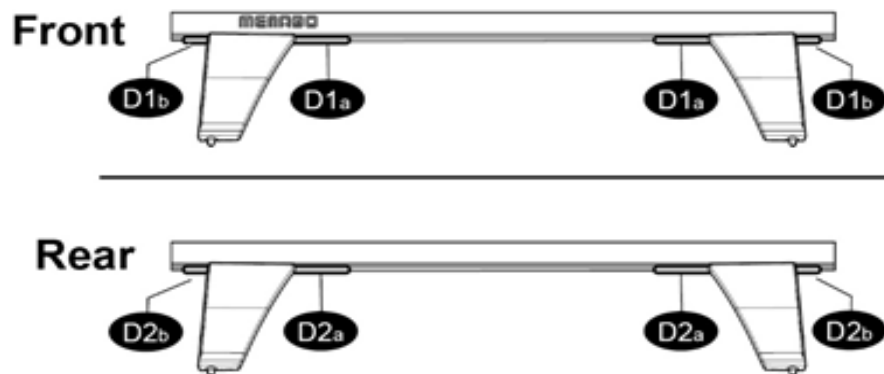
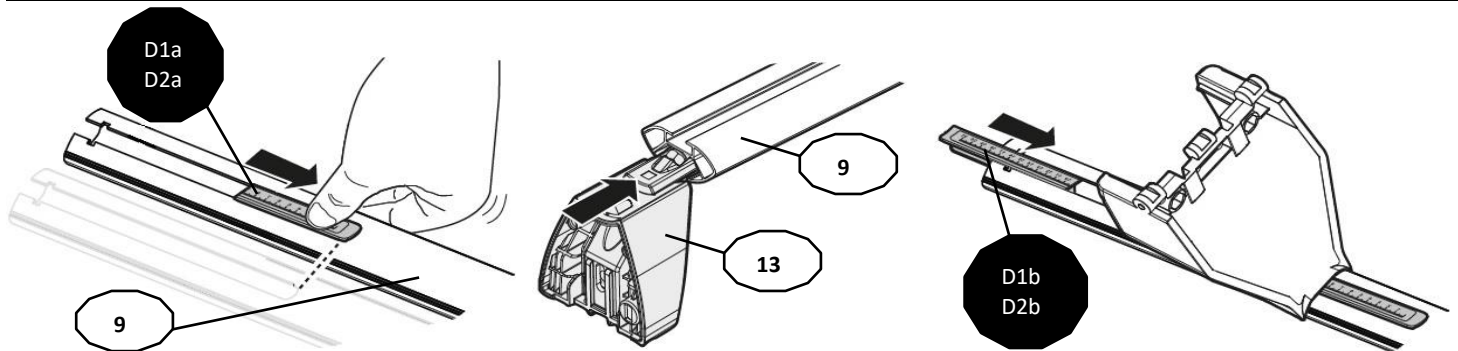


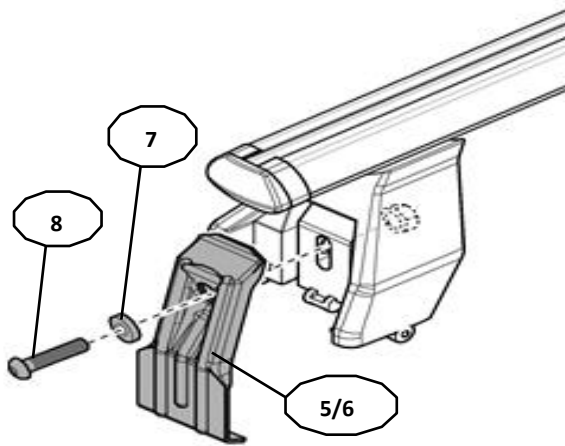
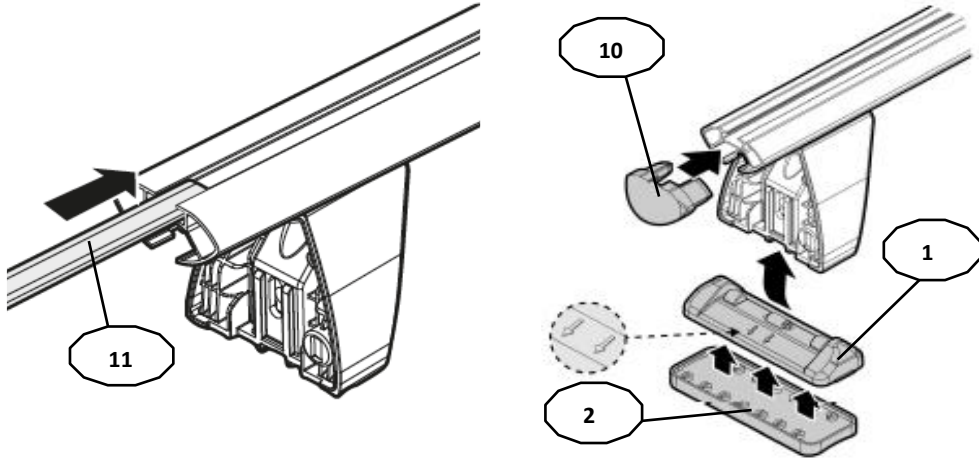
1



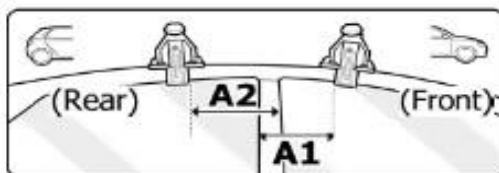
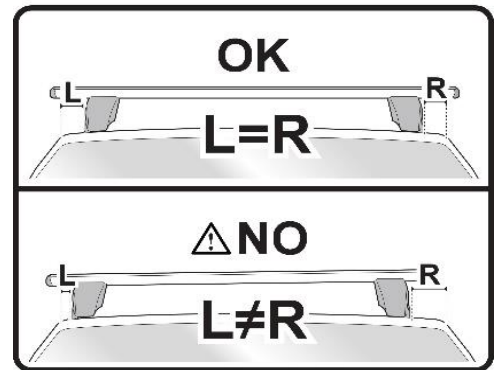
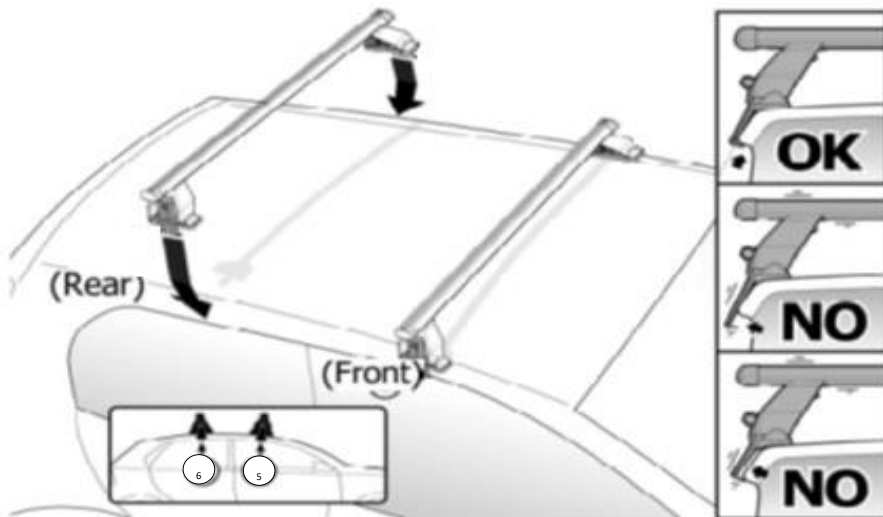
MANUFACTURER	MODEL CAR	DOORS	MODEL YEAR	D1	D2
SSANGYONG	XLV	5	16>	5,6	4,3

2

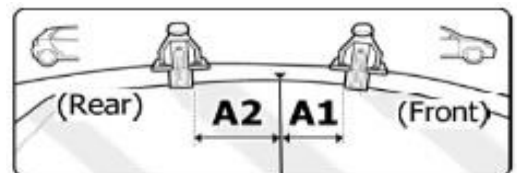




Front 5	Rear 6
14R 2X	11R 2X



OR



MANUFACTURER	MODEL CAR	DOORS	MODEL YEAR	A1 cm	A2 cm	A1 in	A2 in
SSANGYONG	XLV	5	16>	18	39	7,1	15,4

X = predisposizione originale /original arrangement