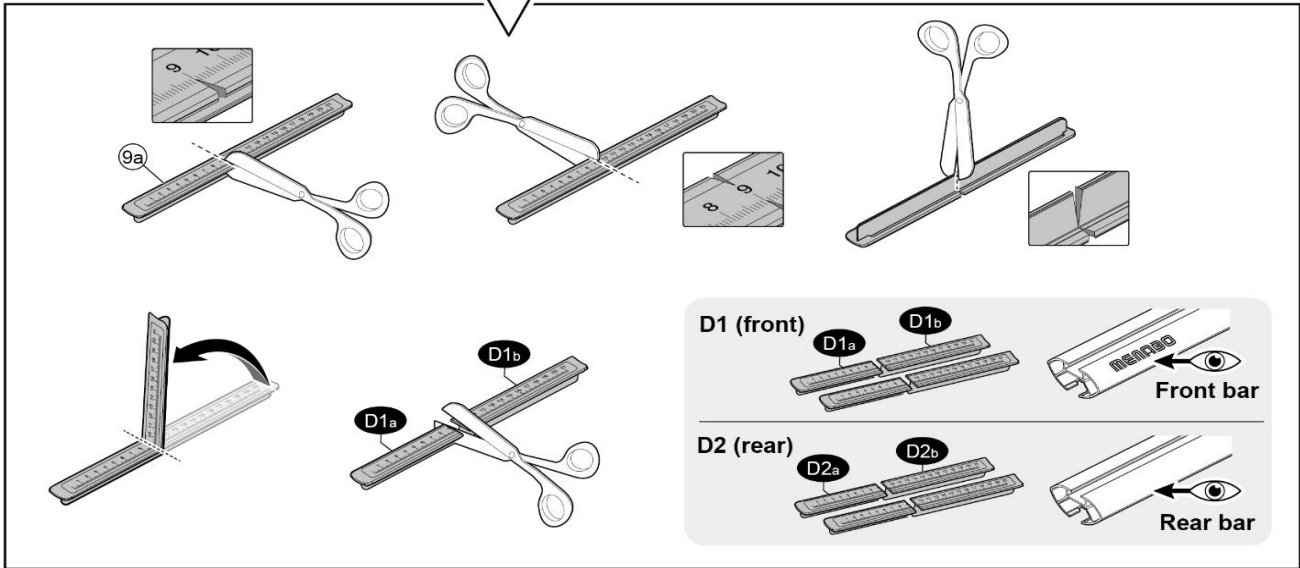
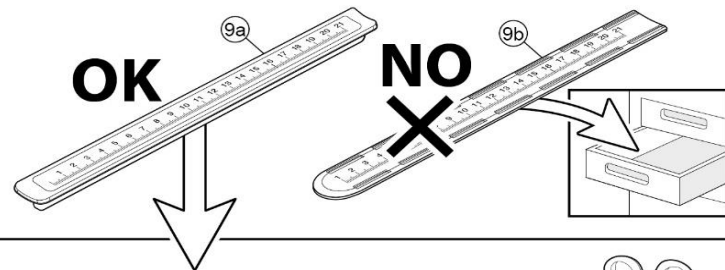


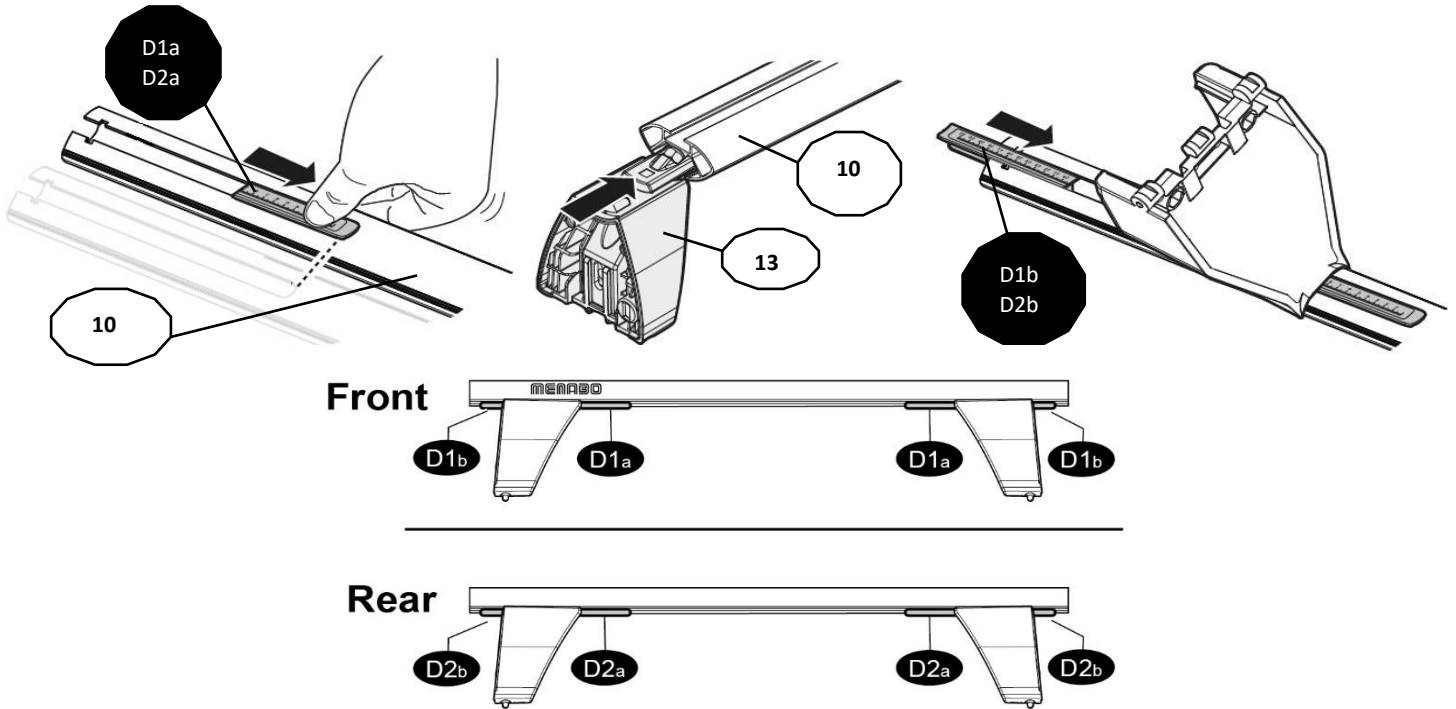


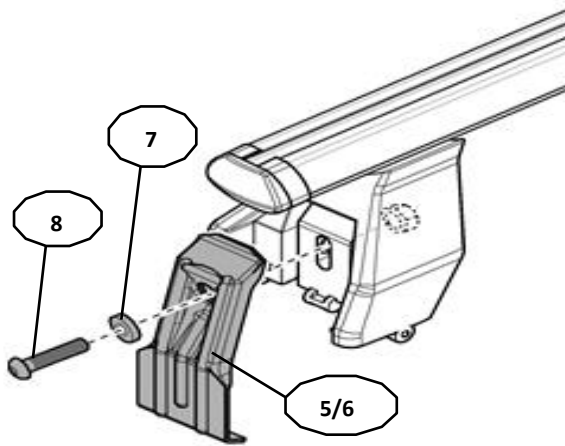
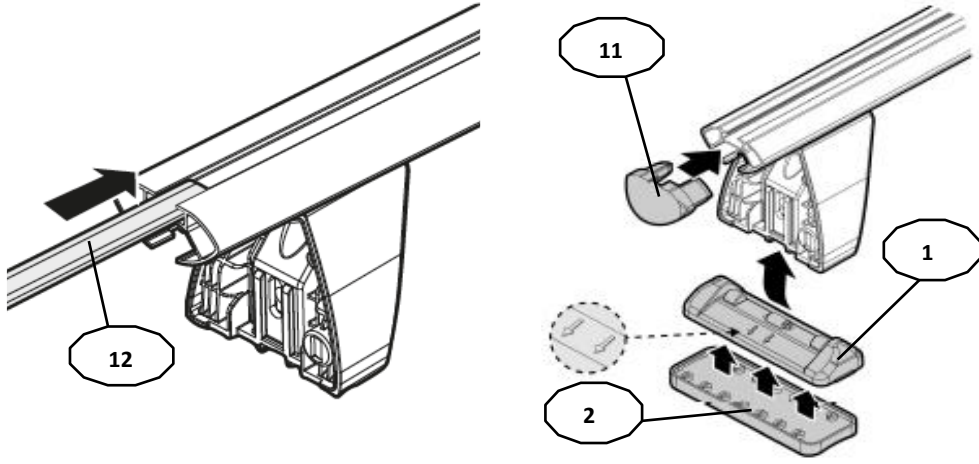
1



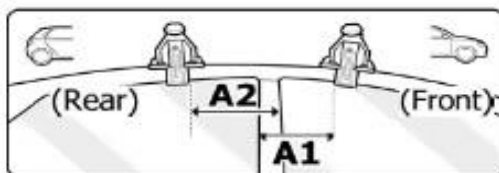
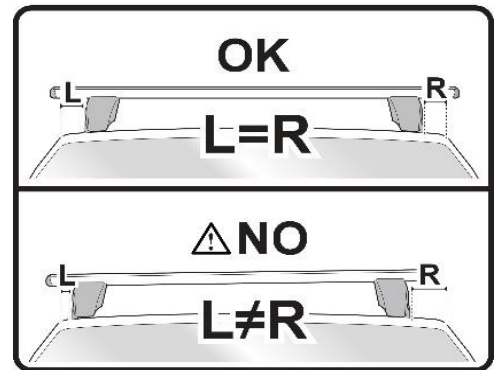
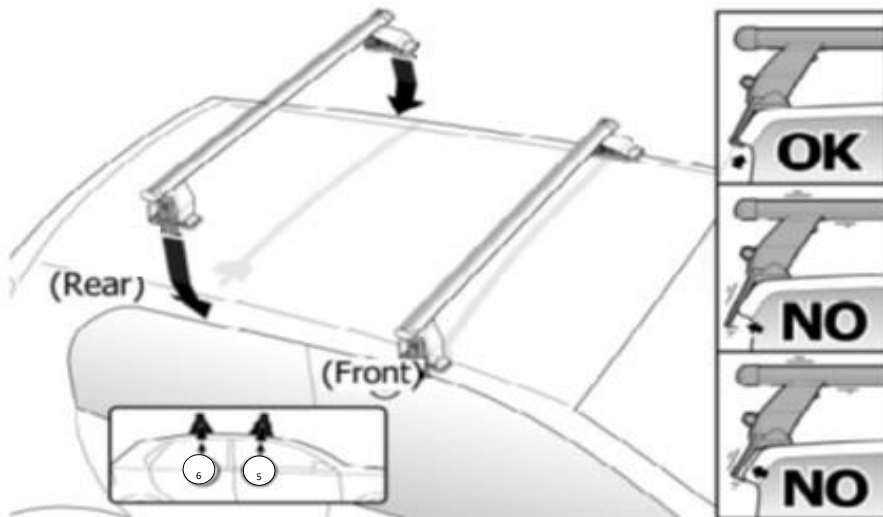
| MANUFACTURER | MODEL CAR | DOORS | MODEL YEAR | D1 | D2 |
|--------------|----------------------|-------|------------|-----|-----|
| INFINITI | Q50 | 4 | 13> | 3,1 | 1,9 |
| VOLKSWAGEN | Passat (B8) Alltrack | 5 | 14> | 6,2 | 4,7 |

2

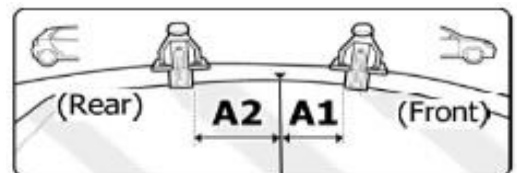




| | |
|------------|-----------|
| Front 5 | Rear 6 |
| | |
| 16 2X | 1 2X |



OR



| MANUFACTURER | MODEL CAR | DOORS | MODEL YEAR | A1 | A2 | A1 | A2 |
|--------------|----------------------|-------|------------|----|----|-----|------|
| | | | | cm | cm | in | in |
| INFINITI | Q50 | 4 | 13> | 23 | 39 | 9,1 | 15,4 |
| VOLKSWAGEN | Passat (B8) Alltrack | 5 | 14> | 12 | 52 | 4,7 | 20,5 |

X = predisposizione originale /original arrangement