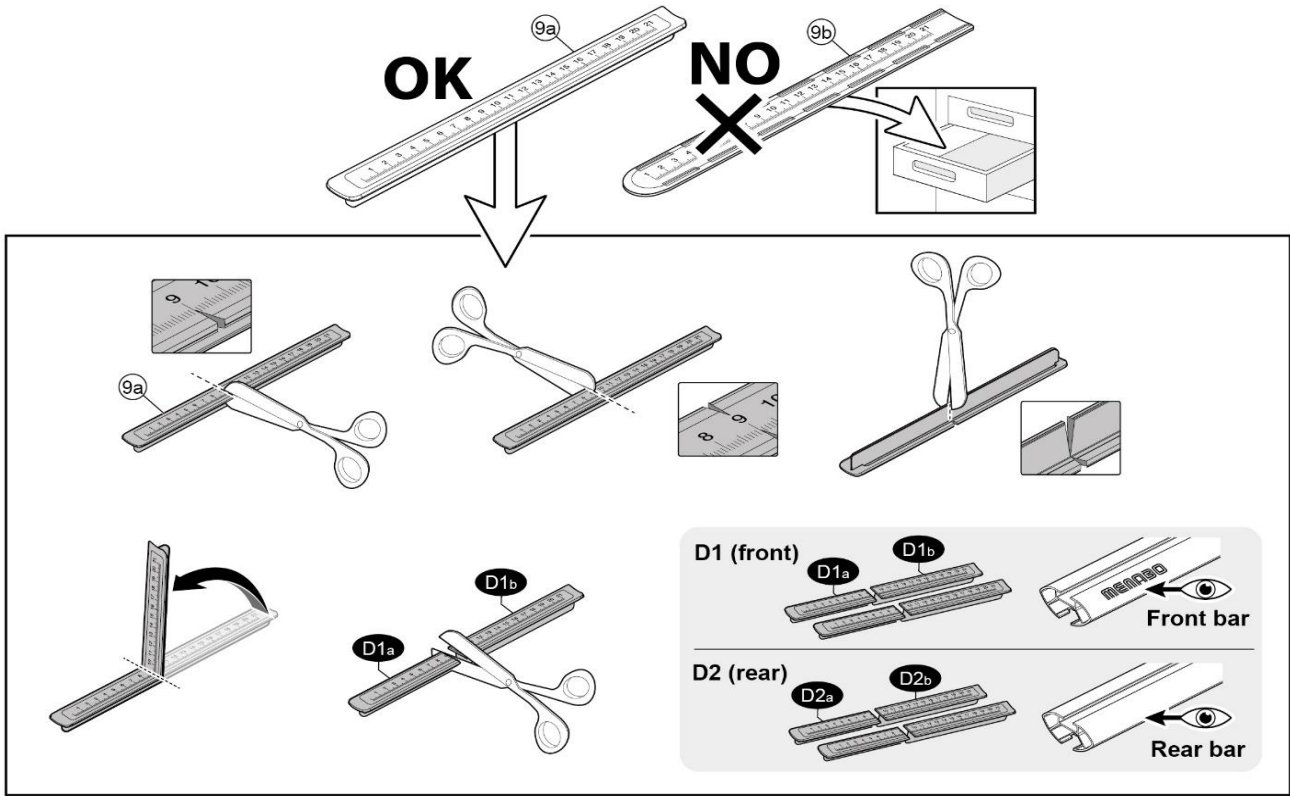


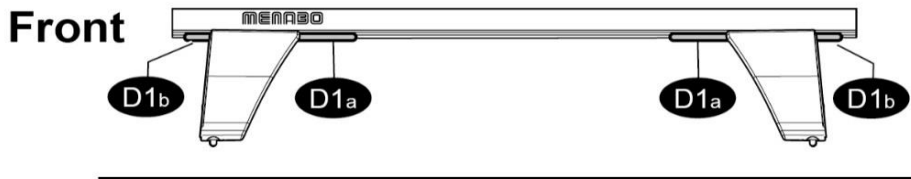
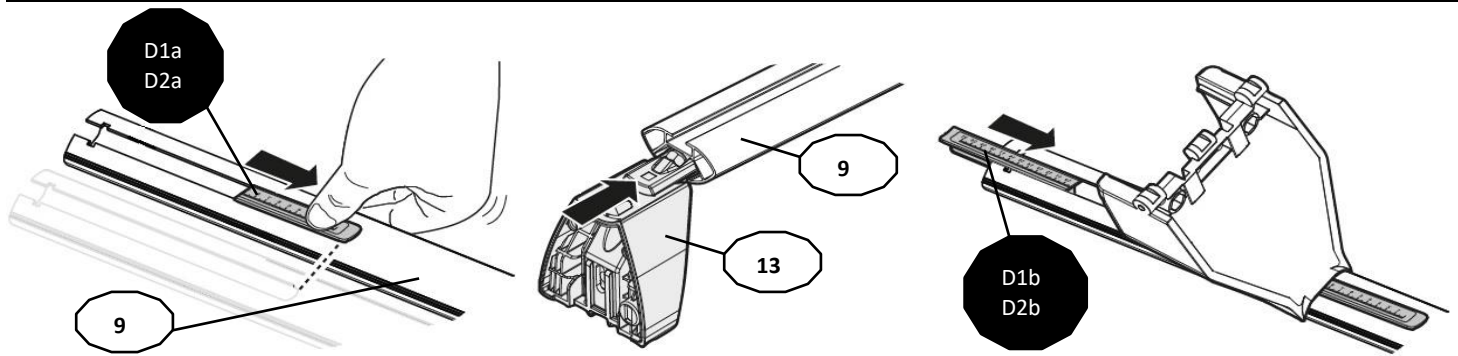


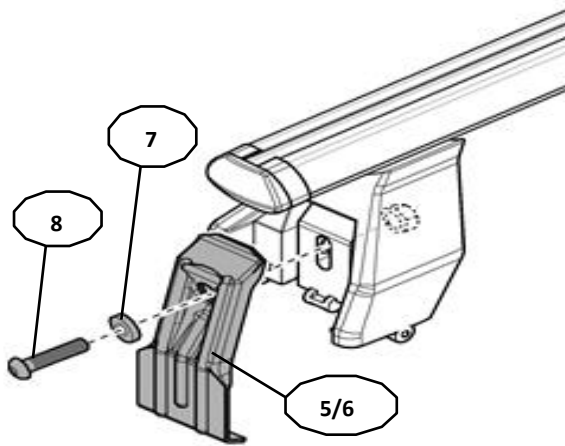
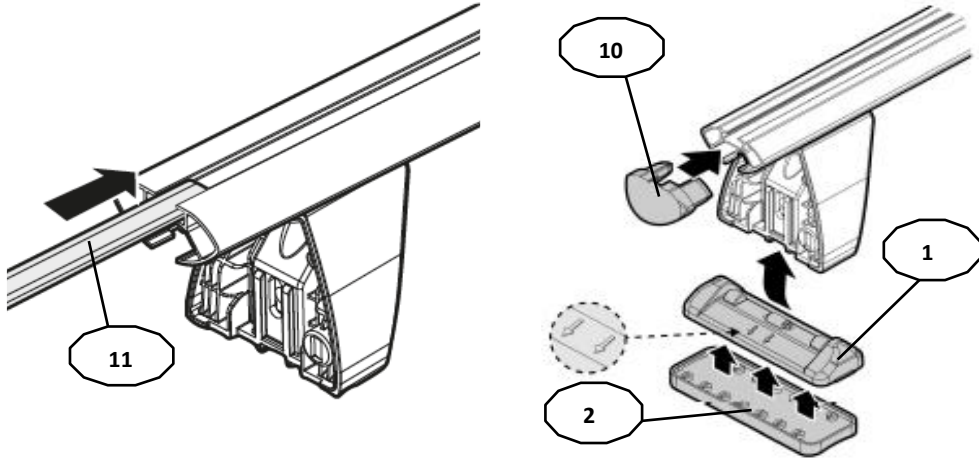
1



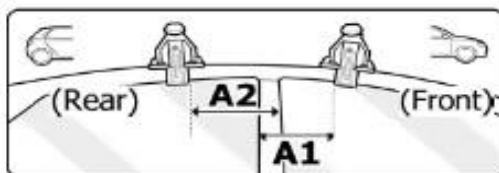
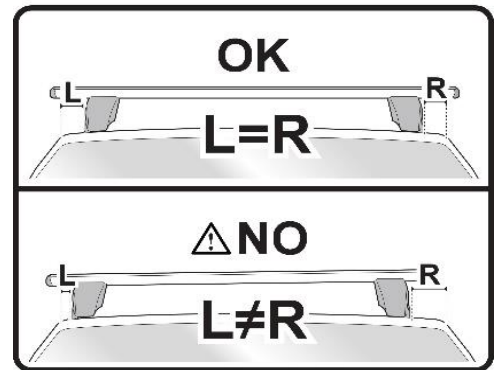
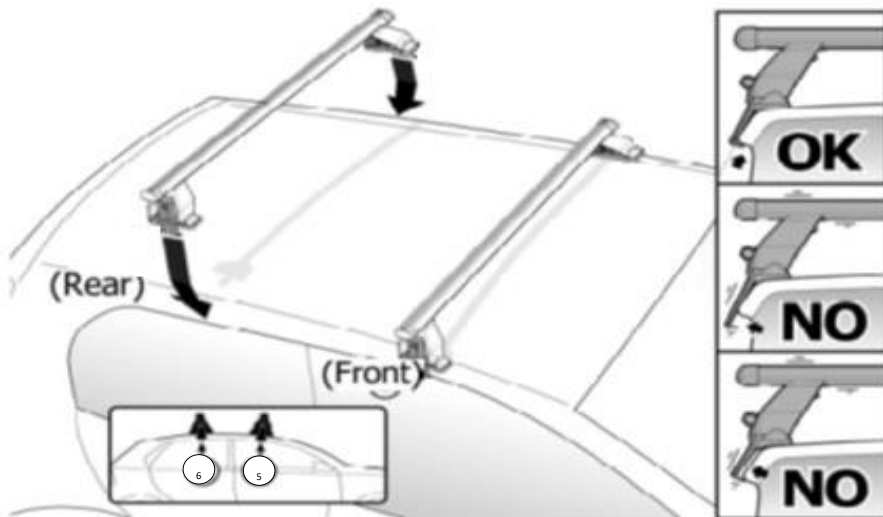
MANUFACTURER	MODEL CAR	DOORS	MODEL YEAR	D1	D2
SUZUKI	Jimny	3	18>	10,4	10,2

2

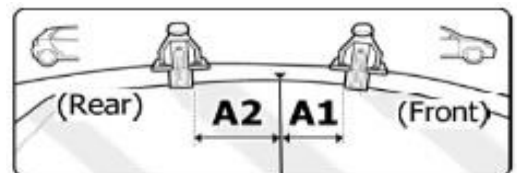




Front	Rear
5	6
12	12
2X	2X



OR



MANUFACTURER	MODEL CAR	DOORS	MODEL YEAR	A1 cm	A2 cm	A1 in	A2 in
SUZUKI	Jimny	3	18>	27	39	10,6	15,4

X = predisposizione originale /original arrangement